

Article datasheet

## Flat Head Screw ISO14583 M2.5x6 A2 Plain Stainless Steel Torx Pan Head

Article-No.: 001.51.222

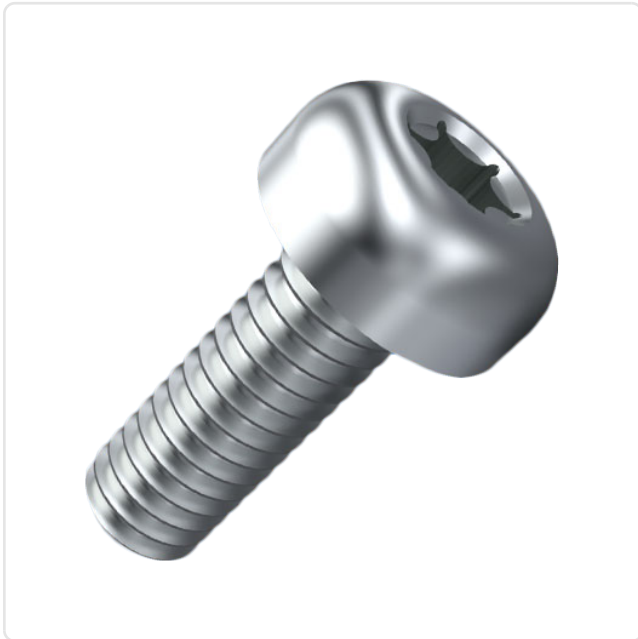
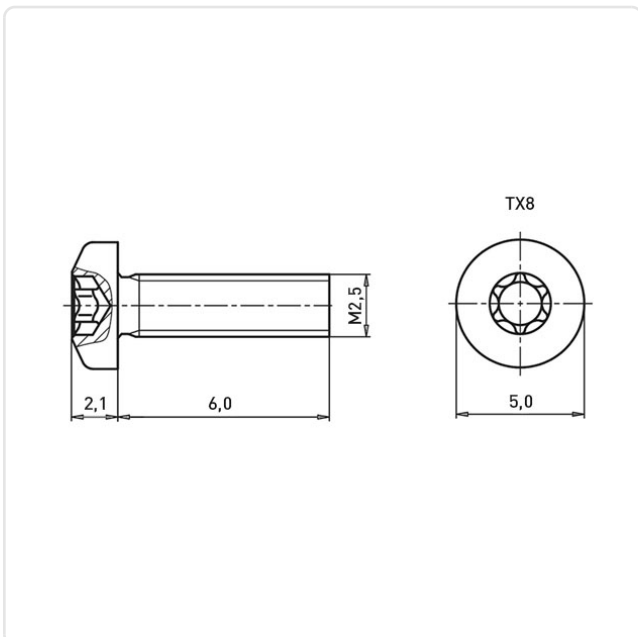


Image may be similar

Actuator Size:	Torx T8
DIN/ISO:	DIN7985 / ISO7045
Drive Type:	TORX
Finish:	Plain
Head Diameter [mm]:	5
Head Height [mm]:	2.1
Head Shape:	Pan Head
Length [mm]:	6
Material:	Stainless Steel AISI 304 / A2
Thread Size:	M2.5
Weight:	0.38g
Conformities:	



You can find all information on the web on our article detail page



Would you like individual advice?

We look forward to your email to [products@ettinger.de](mailto:products@ettinger.de).

Subject to change and errors.