

Article datasheet

Solderless Terminal DIN 46234 M6 10mm² E-copper tinned

Article-No.: 018.66.465

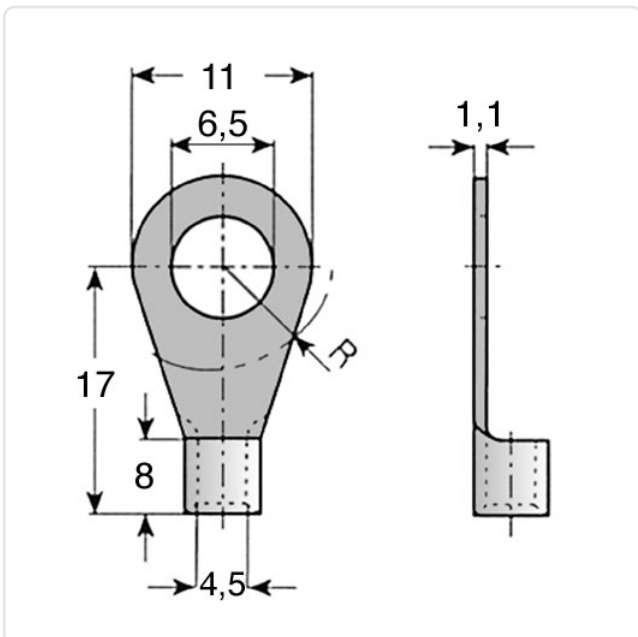


Image may be similar

DIN/ISO:	DIN46234-A
For Thread Size:	M6
Inside Dia.D1 [mm]:	4.5
Material:	Electrolytic Copper
Outer Diameter [mm]:	11
Wire Cross Section [mm ²]:	10
Weight:	2.38g
Conformities:	



You can find all
information on the web on
our article detail page



Would you like individual advice?

We look forward to your email to products@ettinger.de.

Subject to change and errors.