

Article datasheet

## Hexagon Nut DIN934/ISO4032 M4 Galvanized Steel 8

Article-No.: 002.10.041

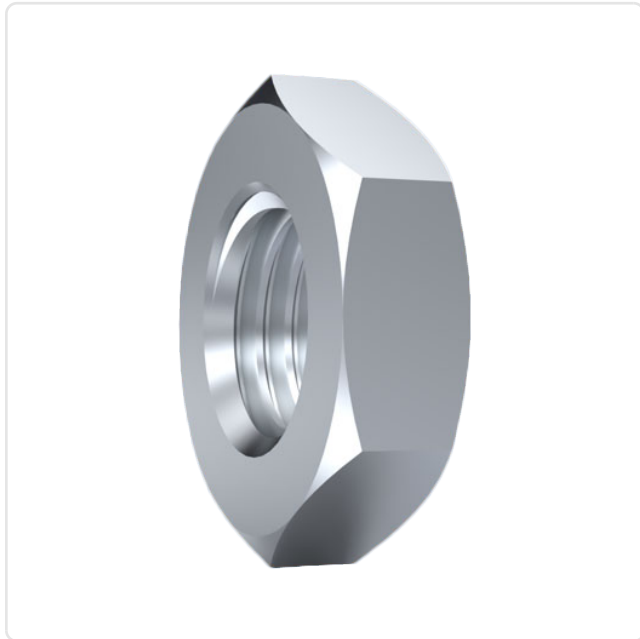
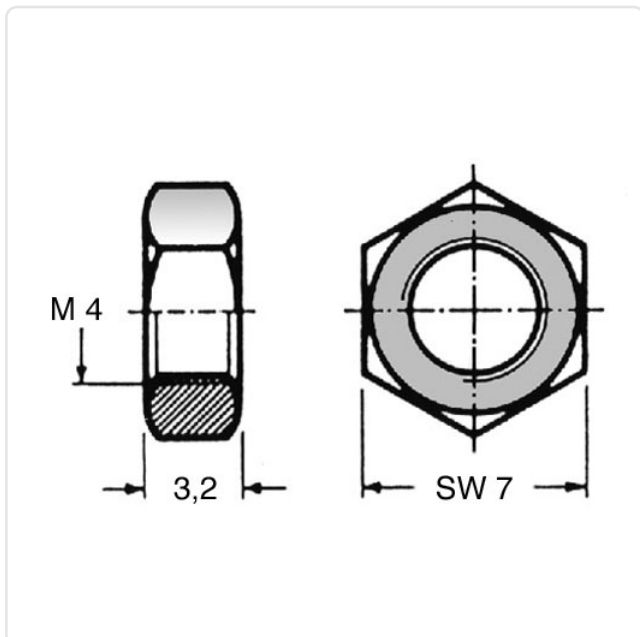


Image may be similar

AF / OD [mm]: 7  
DIN/ISO: DIN934 / ISO4032  
Finish: Galvanized, Blue, 5 µm, A2K  
Height [mm]: 3.2  
Material: Steel  
Thread Size: M4  
Weight: 0.66g  
Conformities:



You can find all  
information on the web on  
our article detail page



Would you like individual advice?

We look forward to your email to [products@ettinger.de](mailto:products@ettinger.de).

Subject to change and errors.