

Article datasheet

## PC Mount Screw Terminal M4 15A max. Brass tinned - without screw

Article-No.: 013.42.424

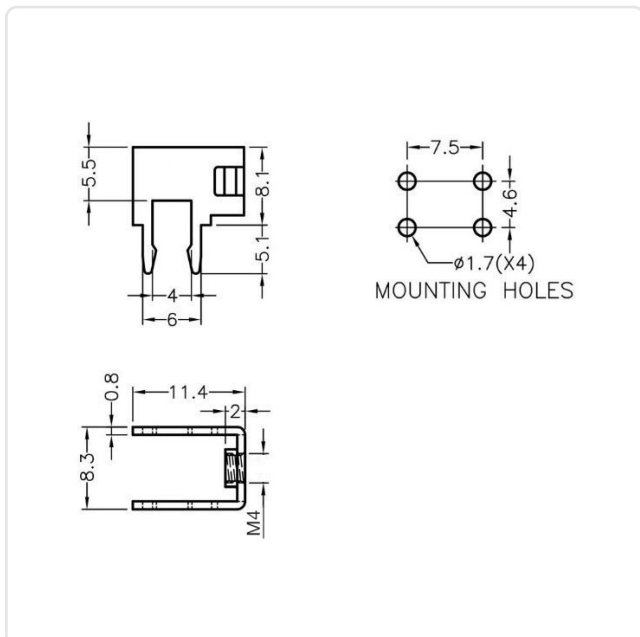


Image may be similar

Finish: Tin-Plated  
 Grid [mm]: 5.0  
 Material: Brass  
 Material Group: Brass  
 PCB Hole Ø [mm]: 1.7  
 Thread Size: M4  
 Weight: 1.38g  
 Conformities:



You can find all information on the web on our article detail page



Would you like individual advice?

We look forward to your email to [products@ettinger.de](mailto:products@ettinger.de).

Subject to change and errors.