

Article datasheet

Retaining Ring Ø8.0/15.3 x 1.3 A2 Plain Stainless Steel

Article-No.: 003.15.489

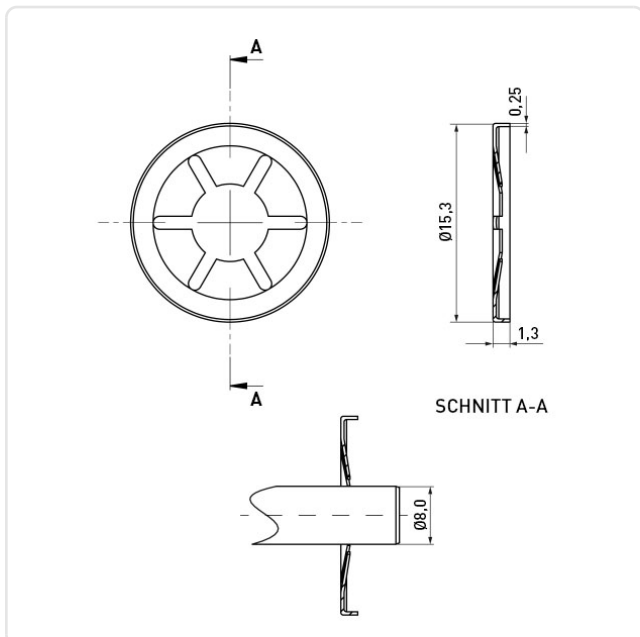


Image may be similar

Finish: Plain
Height [mm]: 1.3
Inner Diameter [mm]: 8
Material: Stainless Steel AISI 304 / A2
Material Group: Stainless Steel
Outer Diameter [mm]: 15.3
Weight: 0.29g
Conformities:



You can find all
information on the web on
our article detail page



Would you like individual advice?

We look forward to your email to products@ettinger.de.

Subject to change and errors.