

Article datasheet

Pan Head Screw ISO1580 M4x12 A4 STEEL Slotted Self-Sealing SEELSKREW®

Article-No.: 001.59.459

Manufacturer: APM Hexseal

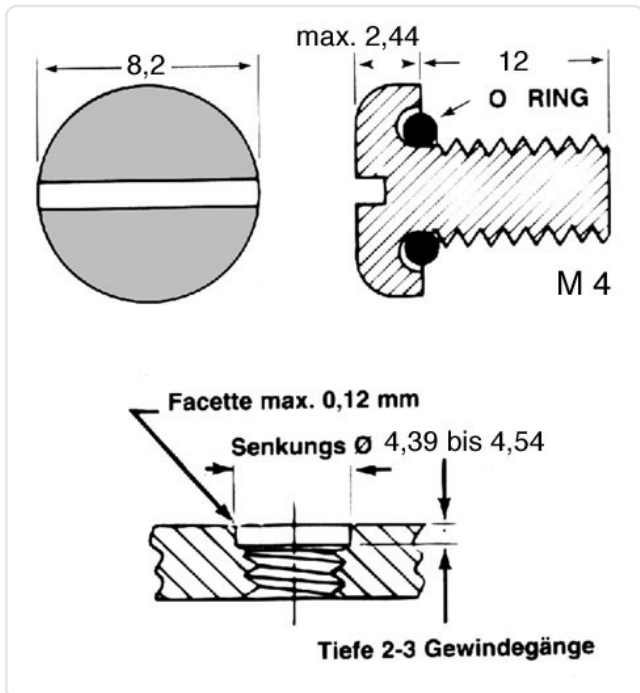
Manufacturer article-no.: SM4X12 SEELSKREW





Image may be similar

DIN/ISO:	DIN85 / ISO1580
Drive Type:	Slotted
Finish:	Passivated, Clear
Head Diameter [mm]:	8
Head Height [mm]:	2.4
Head Shape:	Flat Head
Length [mm]:	12
Material:	Stainless Steel AISI 316 / A4
Material Group:	Stainless Steel
O-Ring Material:	Silicone
Temperature Range [°C]:	-106°C to +260°C
Thread Size:	M4
Weight:	1.57g
Conformities:	



You can find all information on the web on our article detail page

Would you like individual advice?
We look forward to your email to products@ettinger.de.

Subject to change and errors.