

Article datasheet

Blade Terminal 2.8x0.5 | 12.7 Tin-Plated Brass

Article-No.: 019.25.043

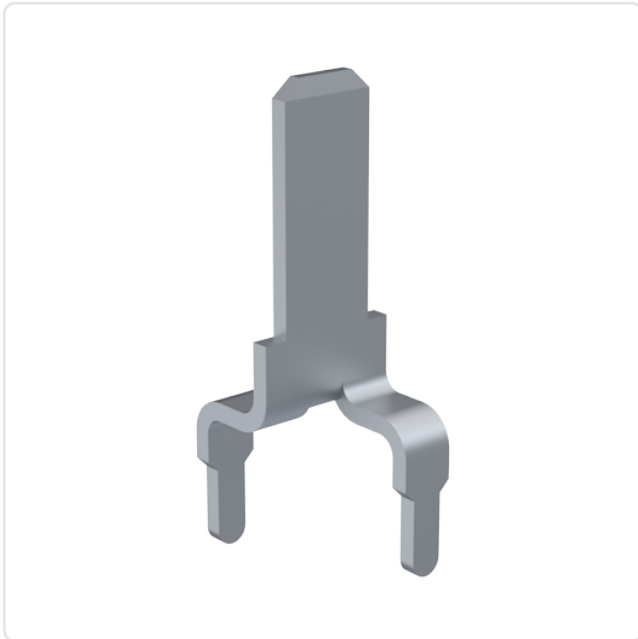
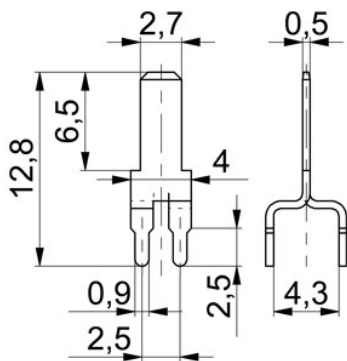


Image may be similar

| | |
|----------------------|------------|
| Bending Angle [°]: | 0 |
| Finish: | Tin-Plated |
| Grid [mm]: | 4.5 |
| Length [mm]: | 12.7 |
| Material: | Brass |
| Material Group: | Brass |
| PCB Hole Ø [mm]: | 0.9 |
| Plug-In Length [mm]: | 6.5 |
| Size [mm]: | 2.8x0.5 |
| Tabs: | 1 |
| Weight: | 0.17g |
| Conformities: | |



You can find all information on the web on our article detail page



Would you like individual advice?

We look forward to your email to products@ettinger.de.

Subject to change and errors.