

Article datasheet

Contact Washer $\varnothing 3.2/6.0 \times 0.6$ A4 Plain Stainless Steel

Article-No.: 003.20.039

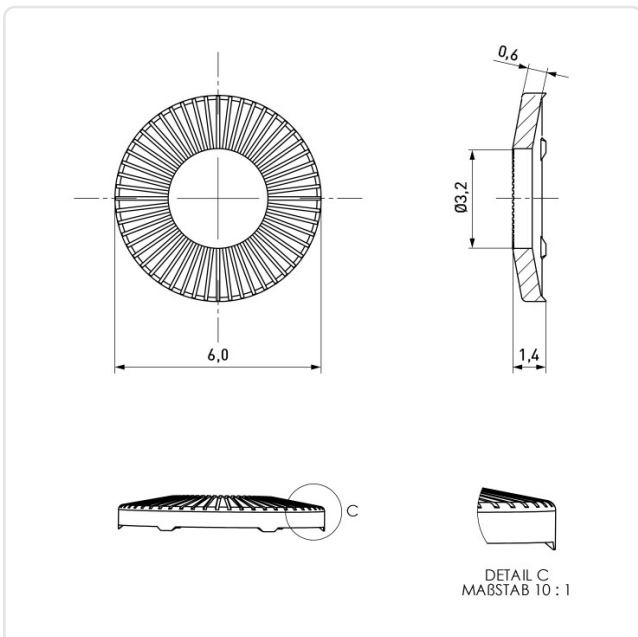


Image may be similar

Finish: Plain
For Thread Size: M3
Height [mm]: 0.6
Inner Diameter [mm]: 3.2
Material: Stainless Steel AISI 316 / A4
Material Group: Stahl rostfrei
Outer Diameter [mm]: 6
Weight: 0.07g
Conformities:



You can find all information on the web on our article detail page



Would you like individual advice?

We look forward to your email to products@ettinger.de.

Subject to change and errors.