

Article datasheet

Straight-Thru Strain Relief Bushing for Round Cables

Article-No.: 014.04.162

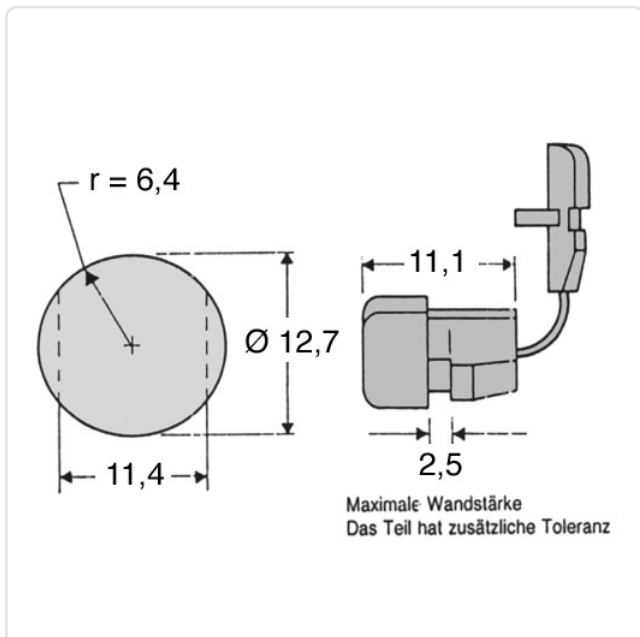


Image may be similar

Cable diameter [mm]:	Ø 3,0-7,6
Color:	Black
Material:	PA 6.6
Material Group:	Kunststoff
Max. Panel Thickness [mm]:	2.5
Mounting Hole [mm]:	12.7
Panel Thickness Range [mm]:	6,4-7,4 mm
Weight:	1.01g
Conformities:	



You can find all information on the web on our article detail page



Would you like individual advice?

We look forward to your email to products@ettinger.de.

Subject to change and errors.