

Article datasheet

## Ground Terminal $\varnothing 7,4/\varnothing 9,5 \times 13,5$ mm Brass nickel-plated 0.5mm thick

Article-No.: 019.07.043

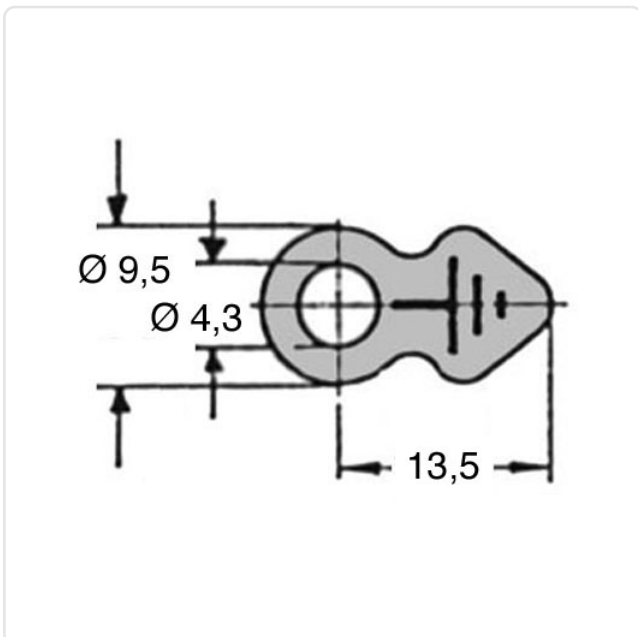


Image may be similar

Finish: Nickel-Plated, 3  $\mu$ m, E1E  
Inner Diameter [mm]: 4.3  
Length [mm]: 13.5  
Material: Brass CW508L / CuZn37, lead-free  
Material Group: Messing  
Outer Diameter [mm]: 9.5  
Weight: 0.49g  
Conformities:



You can find all information on the web on our article detail page



Would you like individual advice?

We look forward to your email to [products@ettinger.de](mailto:products@ettinger.de).

Subject to change and errors.