

Article datasheet

Fuse Holder for 5x20mm Fuse Polyamid UL94-V0 max. 5A/250V

Article-No.: 015.01.557

Manufacturer: Keystone Electronics

Manufacturer article-no.: 4628

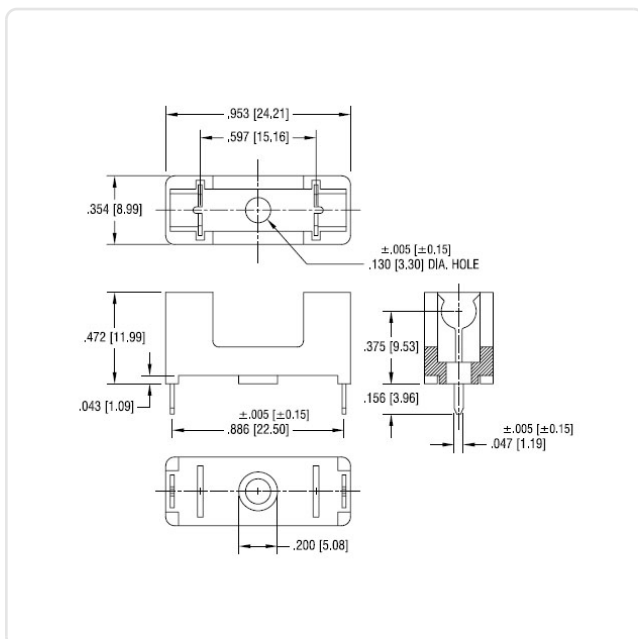


Image may be similar

Amperage [A]: 5
 Fuse Size [mm]: 5.0x20.0
 Material: PA 6.6
 Model: Fuse Holder
 Mounting Hole [mm]: 1.3
 Weight: 1.9g
 Conformities:



You can find all information on the web on our article detail page



Would you like individual advice?

We look forward to your email to products@ettinger.de.

Subject to change and errors.