

Article datasheet

Battery Contact for "A"/"AA" cells Spring steel nickel-plated

Article-No.: 015.84.713

Manufacturer: Keystone Electronics

Manufacturer article-no.: 5223

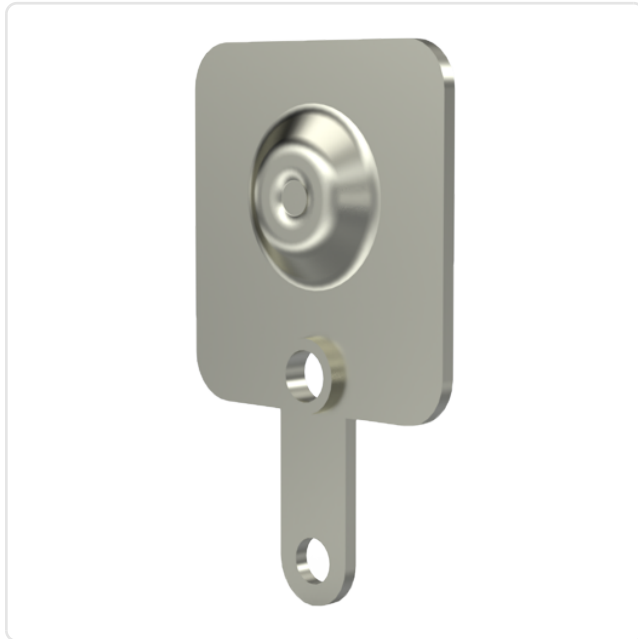
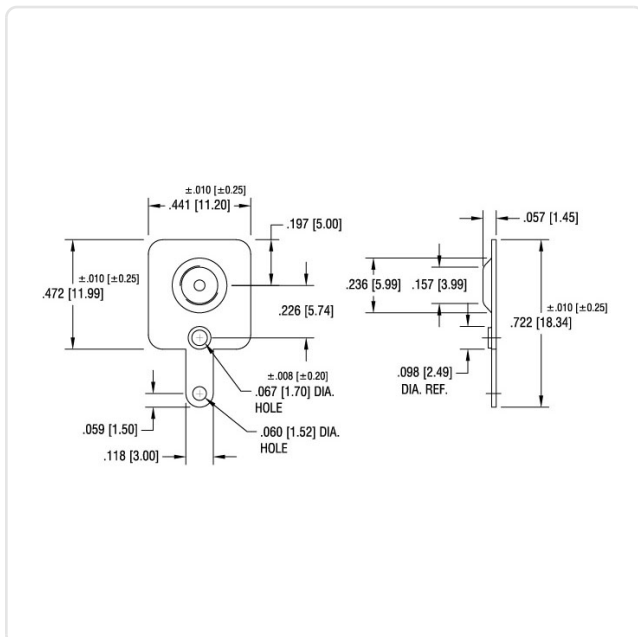


Image may be similar

Battery Type: AA-Mignon
Finish: Nickel-Plated, 3 µm, E1E
Material: Spring Steel
Material Group: Steel
Width [mm]: 11.2
Weight: 0.58g
Conformities:



You can find all information on the web on our article detail page



Would you like individual advice?

We look forward to your email to products@ettinger.de.

Subject to change and errors.