

Article datasheet

Disc Spring DIN2093 Ø12.2/25.0 x 0.9 Phosphated Spring Steel

Article-No.: 003.24.121

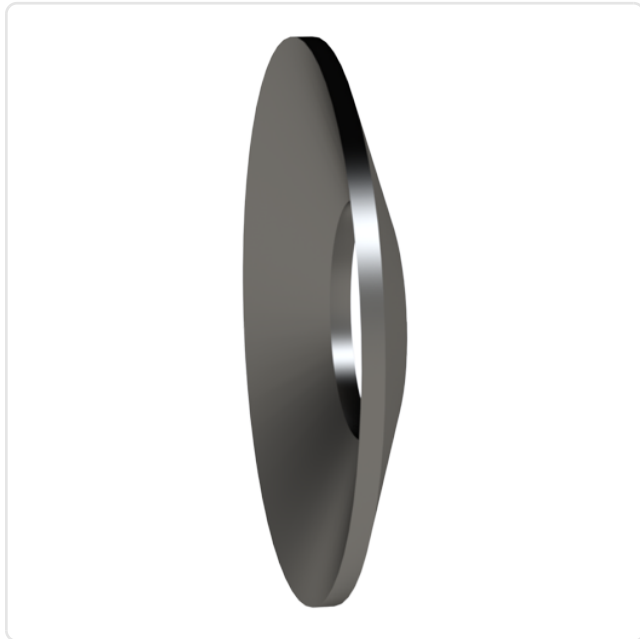


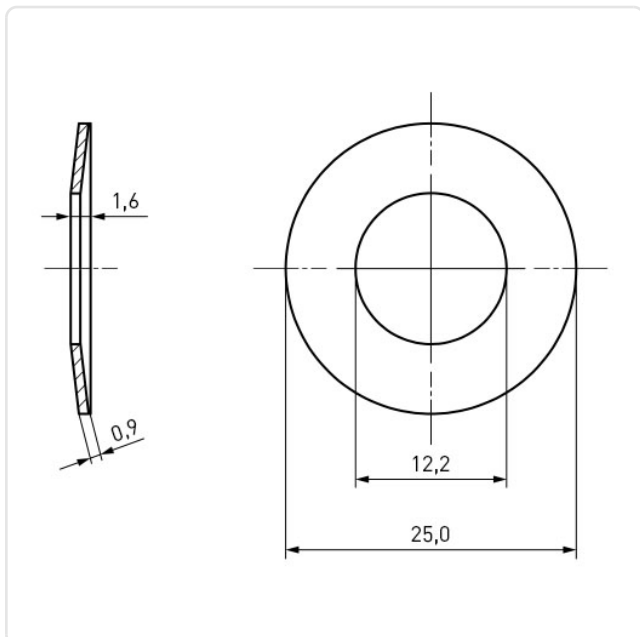
Image may be similar

DIN/ISO: DIN2093
Finish: Phosphated
For Thread Size: M12
Height [mm]: 0.9
Inner Diameter [mm]: 12.2
Material: Spring Steel
Material Group: Steel
Outer Diameter [mm]: 25

Conformities:



You can find all information on the web on our article detail page



Would you like individual advice?

We look forward to your email to products@ettinger.de.

Subject to change and errors.