

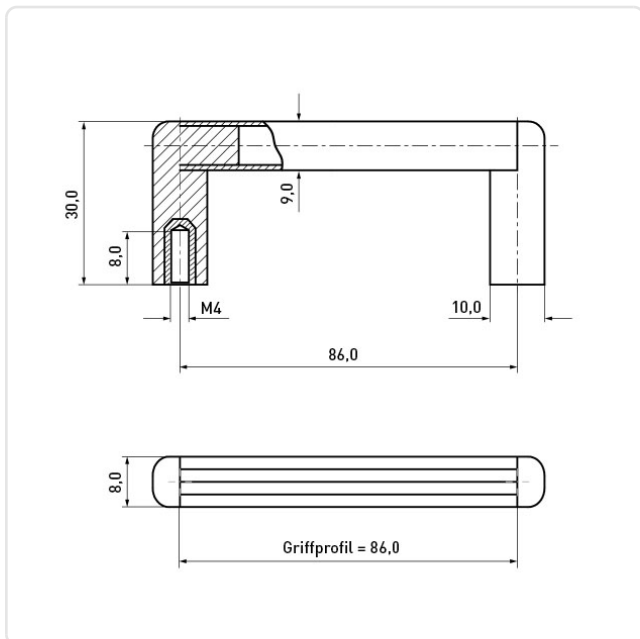
Article datasheet

Handle Type UG-01 86/30/8mm M4 Aluminium natural anodized

Article-No.: 029.13.311



Image may be similar



| | |
|----------------------------|---------------------------------------|
| Dist. Mounting Holes [mm]: | 86 |
| Finish: | Anodized, Clear |
| Height [mm]: | 30 |
| Material: | Aluminum ENAW-5754 / AlMg3, lead-free |
| Material Group: | Aluminum |
| Model: | Equipment Handle |
| Thread Size: | M4 |
| Weight: | 18g |
| Conformities: | |



You can find all information on the web on our article detail page

Would you like individual advice?

We look forward to your email to products@ettinger.de.

Subject to change and errors.