

Article datasheet

## Serrated Washer DIN6798 J Ø6.4/11.0 x 0.7 A4 Plain Stainless Steel

Article-No.: 003.55.069

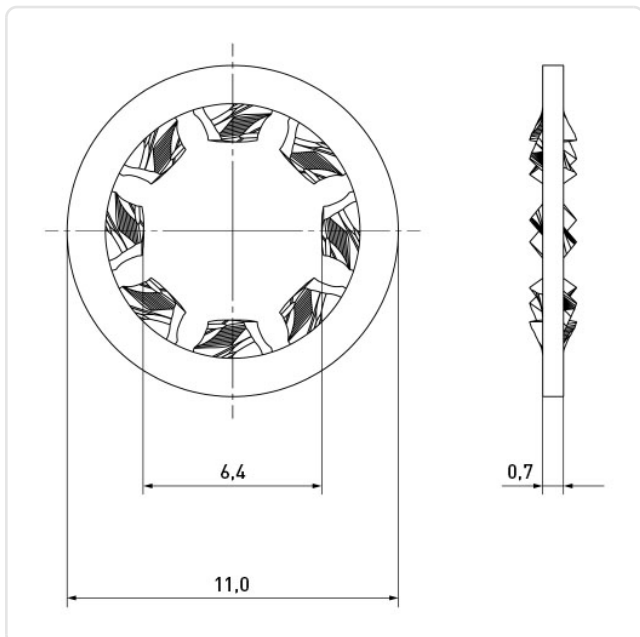


Image may be similar

DIN/ISO: DIN6798I  
Finish: Plain  
For Thread Size: M6  
Inner Diameter [mm]: 6.4  
Material: Stainless Steel AISI 316 / A4  
Material Group: Stainless Steel  
Outer Diameter [mm]: 11  
Weight: 0.27g  
Conformities:



You can find all information on the web on our article detail page



Would you like individual advice?

We look forward to your email to [products@ettinger.de](mailto:products@ettinger.de).

Subject to change and errors.