

Article datasheet

Pin Header 2x 40-pole Phosphorbronze gold-plated

Article-No.: 022.17.404

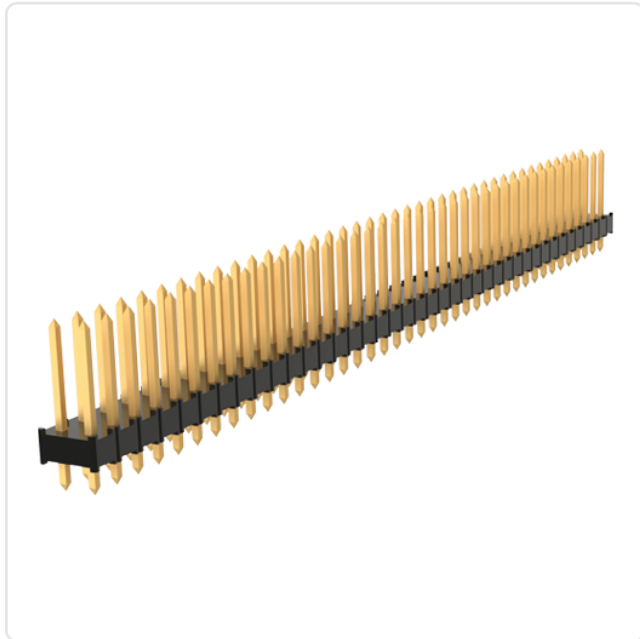
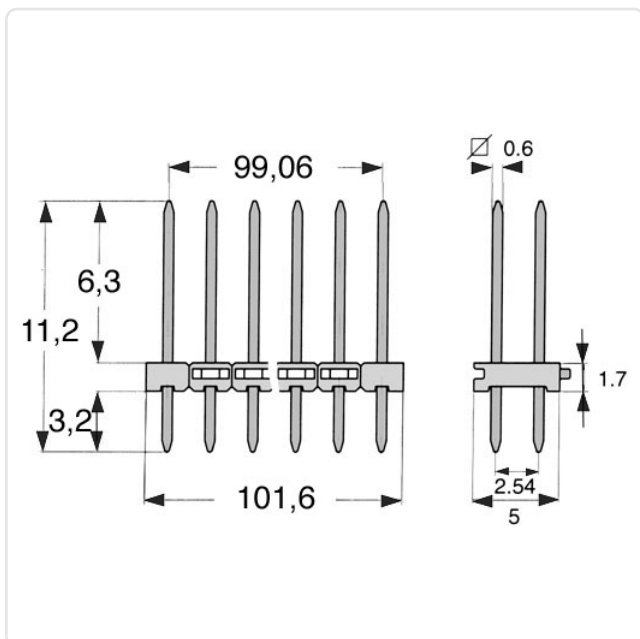


Image may be similar

Finish: Gold-Plated
 Grid [mm]: 2.54
 Material: Phosphor Bronze
 Material Group: Bronze
 Plug-In Length [mm]: 6.3
 Weight: 4.37g
 Conformities:



You can find all information on the web on our article detail page



Would you like individual advice?

We look forward to your email to products@ettinger.de.

Subject to change and errors.