

Article datasheet

## Twist Lock for 17.8-20.3mm bundle Polyamid 6.6 natural UL94-V2 E70062

Article-No.: 072.66.726

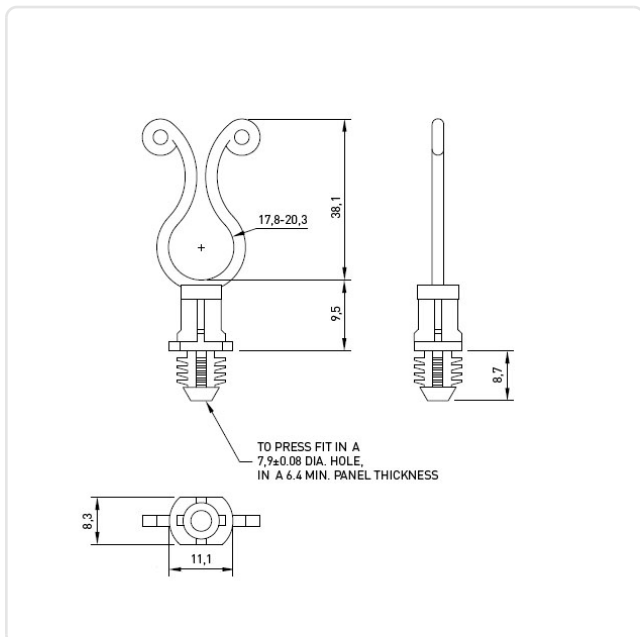


Image may be similar

Bundle Diameter [mm]: 15,0-20,0  
Color: Natural  
Flammability Class: UL94-V2  
Material: PA 6.6  
Material Group: Plastic  
Model: Blind Hole Mounting  
Weight: 1.1g  
Conformities:



You can find all information on the web on our article detail page



Would you like individual advice?

We look forward to your email to [products@ettinger.de](mailto:products@ettinger.de).

Subject to change and errors.