

Article datasheet

## Press Nut M6 | SW10x5.0 A2 Plain Stainless Steel

Article-No.: 002.14.269

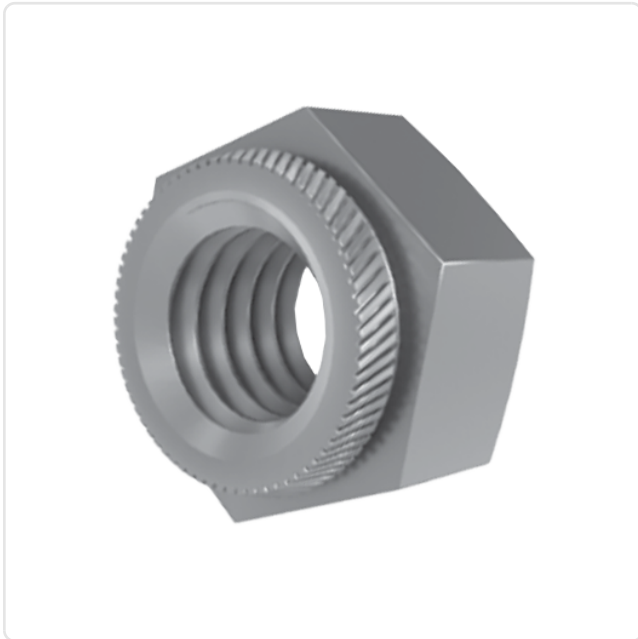
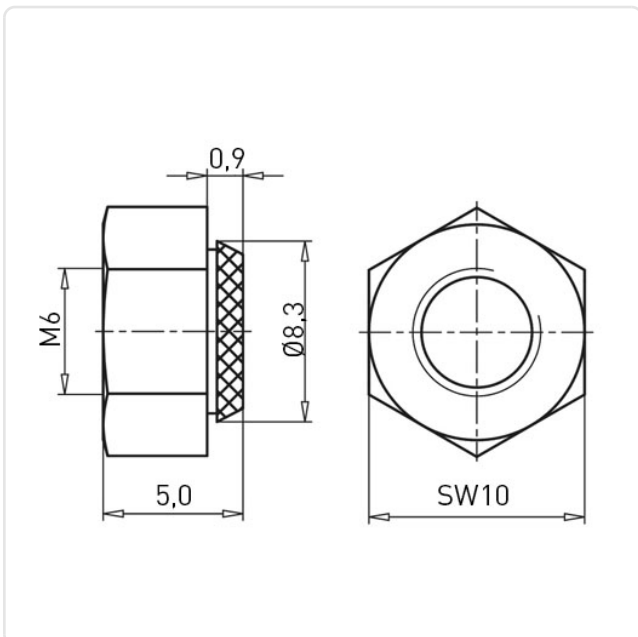


Image may be similar

AF / OD [mm]:	10
Finish:	Plain
Height [mm]:	5
Material:	Stainless Steel AISI 304 / A2
Material Group:	Stainless Steel
Panel Hole Ø [mm]:	8
Panel Thickness [mm]:	1
Thread Size:	M6
Conformities:	



You can find all information on the web on our article detail page



Would you like individual advice?

We look forward to your email to [products@ettinger.de](mailto:products@ettinger.de).

Subject to change and errors.