

Article datasheet

Fast On DIN 46245 2.8x0.8mm Brass tinned PVC red 0.5-1.5mm²

Article-No.: 012.28.112

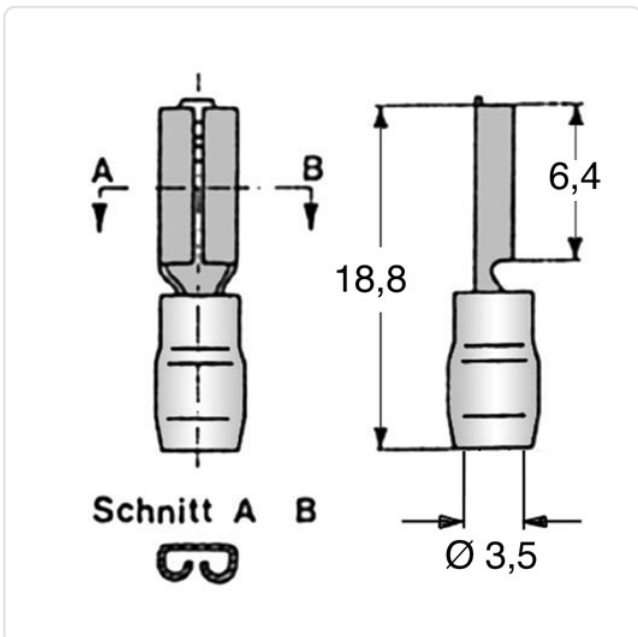


Image may be similar

Color:	Red
DIN/ISO:	DIN46245
Finish:	Tin-Plated
Insulation:	PVC
Length [mm]:	18.8
Material:	Brass
Material Group:	Brass
Size [mm]:	2.8x0.8
Wire Cross Section [mm ²]:	0.5-1.5
Weight:	0.62g
Conformities:	



You can find all
information on the web on
our article detail page



Would you like individual advice?

We look forward to your email to products@ettinger.de.

Subject to change and errors.