




Article datasheet

Self-Clinching Nut M5 | 1.2 Galvanized Steel

Article-No.: 002.14.051

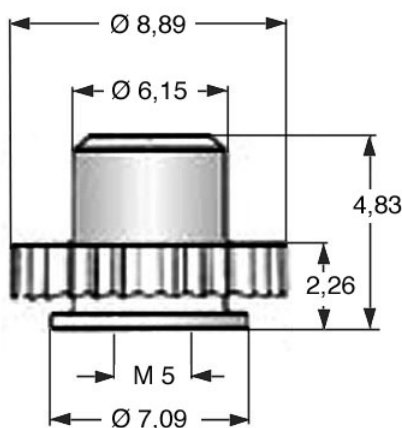


Image may be similar

Area of Application:	For Metallic Materials
Finish:	Galvanized, Blue, 5 μ m, A2K
Height [mm]:	4.83
Material:	Steel
Outer Diameter [mm]:	8.89
Panel Hole \varnothing [mm]:	7.14
Panel Thickness [mm]:	1,2
Thread Size:	M5
Weight:	0.77g
Conformities:	  



You can find all information on the web on our article detail page



Would you like individual advice?

We look forward to your email to products@ettinger.de.

Subject to change and errors.