

Article datasheet

## Sealing Washer EPDM gray Ø13.0/29.0 x 2.8 A2 Plain Stainless Steel

Article-No.: 003.07.789

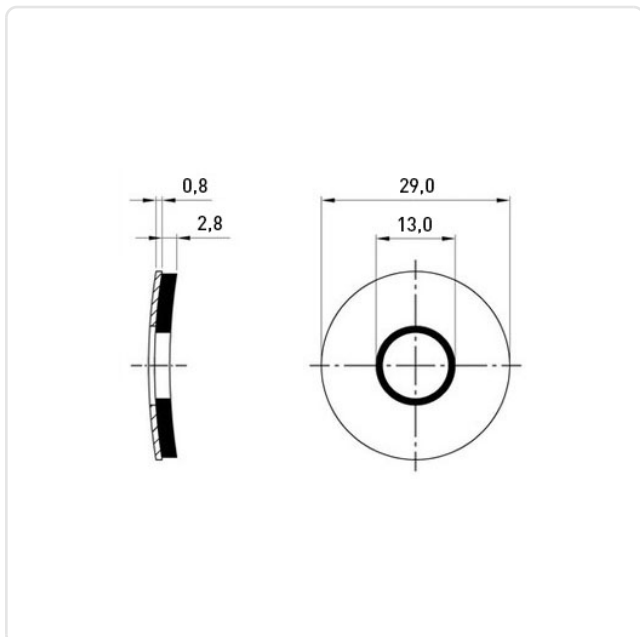


Image may be similar

Finish: Plain  
Height [mm]: 2.8  
Inner Diameter [mm]: 13  
Material: Stainless Steel AISI 304 / A2  
Material Group: Stainless Steel  
Outer Diameter [mm]: 29  
Weight: 4.75g  
Conformities:



You can find all  
information on the web on  
our article detail page



Would you like individual advice?

We look forward to your email to [products@ettinger.de](mailto:products@ettinger.de).

Subject to change and errors.