

Article datasheet

Cable terminal DIN 46234 3-2.5mm² Copper tinned 1.5-2.5mm² AWG16-14

Article-No.: 018.64.435

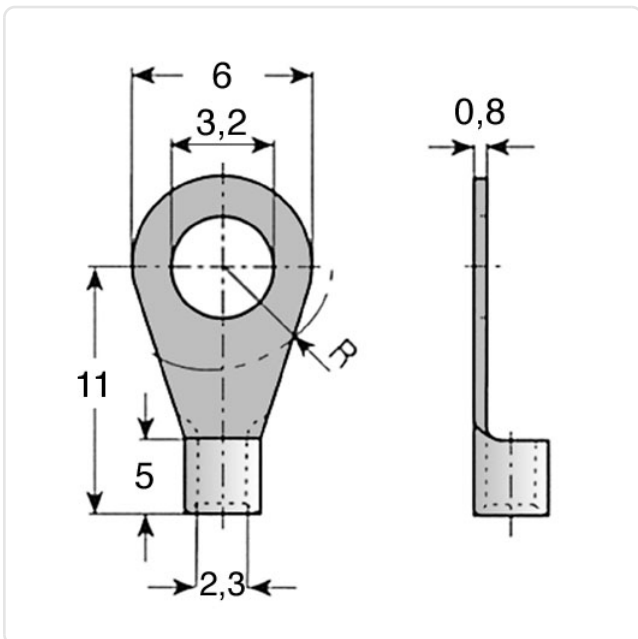


Image may be similar

DIN/ISO:	DIN46234-A
For Thread Size:	M3
Inside Dia.D1 [mm]:	2.3
Material:	Electrolytic Copper
Outer Diameter [mm]:	6
Wire Cross Section [mm ²]:	1.0-2.5
Weight:	0.6g
Conformities:	



You can find all information on the web on our article detail page



Would you like individual advice?

We look forward to your email to products@ettinger.de.

Subject to change and errors.