

Article datasheet

End-Sleeve DIN 46228 1mm²/10mm Copper,tinned

Article-No.: 018.92.105

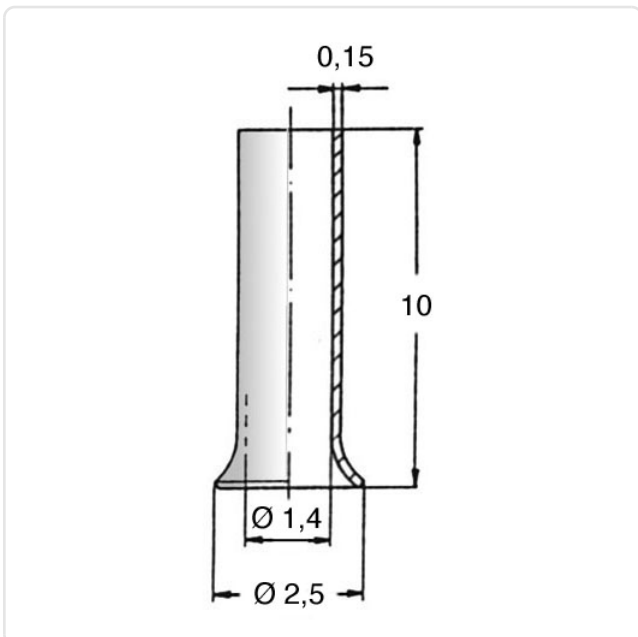


Image may be similar

Color: Silver
Finish: Tin-Plated
Length [mm]: 10
Material: Electrolytic Copper
Wire Cross Section [mm²]: 1.0
Weight: 0.07g
Conformities:



You can find all
information on the web on
our article detail page



Would you like individual advice?

We look forward to your email to products@ettinger.de.

Subject to change and errors.