

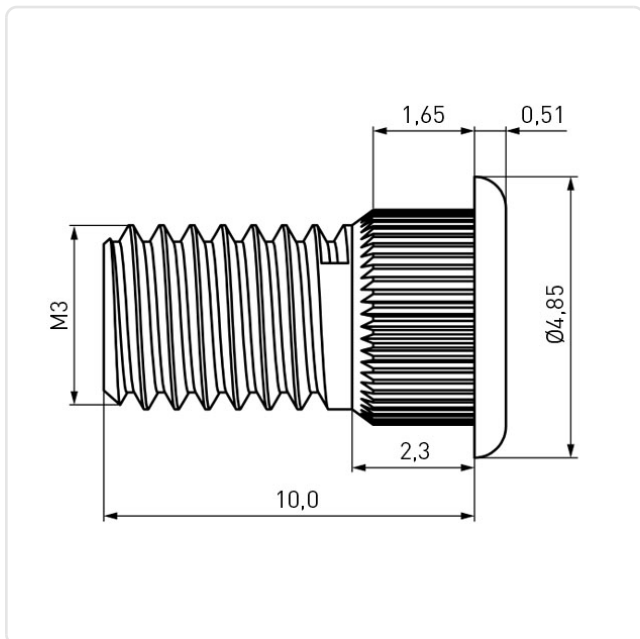
Article datasheet

## Self-Clinching Stud M3x10.0 Tin-Plated Phosphor Bronze

Article-No.: 004.67.355



Image may be similar



Area of Application:	For Plastics
Finish:	Tin-Plated
Head Diameter [mm]:	4.58
Length [mm]:	10
Material:	Phosphor Bronze
Minimum Edge Distance [mm]:	3.1
Panel Hole Ø [mm]:	3
Panel Thickness [mm]:	1,5
Thread Size:	M3
Weight:	0.59g
Conformities:	



You can find all  
information on the web on  
our article detail page

Would you like individual advice?

We look forward to your email to [products@ettinger.de](mailto:products@ettinger.de).

Subject to change and errors.