

Article datasheet

PCB Support 14.3 | \varnothing 3.2 | \varnothing 3.2 Polyamide 6.6 natural

Article-No.: 006.03.466

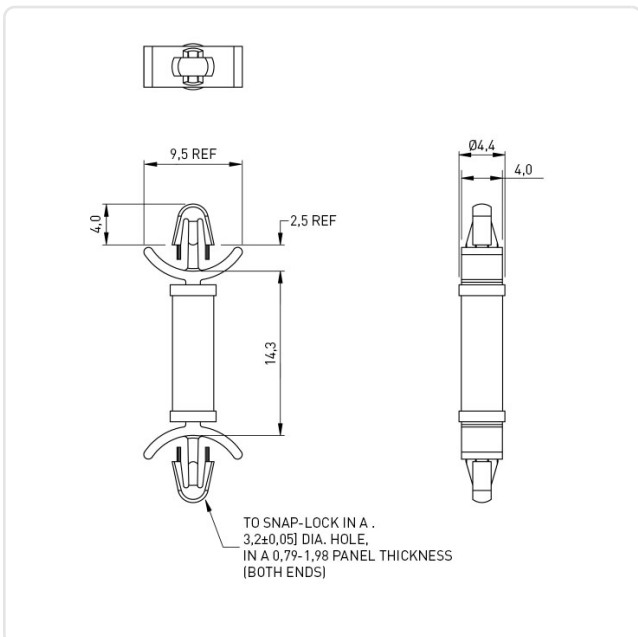


Image may be similar

Color: Natural
 Flammability Class: UL94-V2
 Length [mm]: 14.3
 Material: PA 6.6
 Material Group: Plastic
 PCB Hole \varnothing [mm]: 3.2
 PCB Thickness [mm]: 0,8-2,0
 Panel Hole \varnothing [mm]: 3.2
 Panel Thickness [mm]: 0,8-2,0
 Weight: 0.32g
 Conformities:



You can find all information on the web on our article detail page



Would you like individual advice?

We look forward to your email to products@ettinger.de.

Subject to change and errors.