

Article datasheet

Fan Guard Assembly 40mm/1.570" ABS,black UL94-V0/Media: PU Foam

Article-No.: 059.84.400

Manufacturer: Keystone Electronics

Manufacturer article-no.: 8464

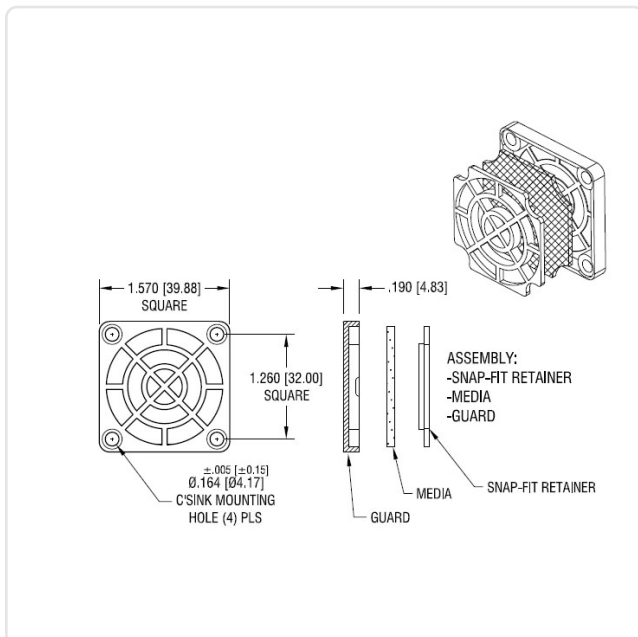


Image may be similar

Color: Black
 Length [mm]: 40
 Lüftergröße [mm]: 40
 Material: ABS - Acrylonitrile Butadiene Styrene
 Material Group: Plastic
 Model: Fan Guard
 Weight: 24.5g
 Conformities:



You can find all information on the web on our article detail page



Would you like individual advice?

We look forward to your email to products@ettinger.de.

Subject to change and errors.