

Article datasheet

## Combination Nut M8 Galvanized Steel 8 Toothed Lock Washer

Article-No.: 002.29.681

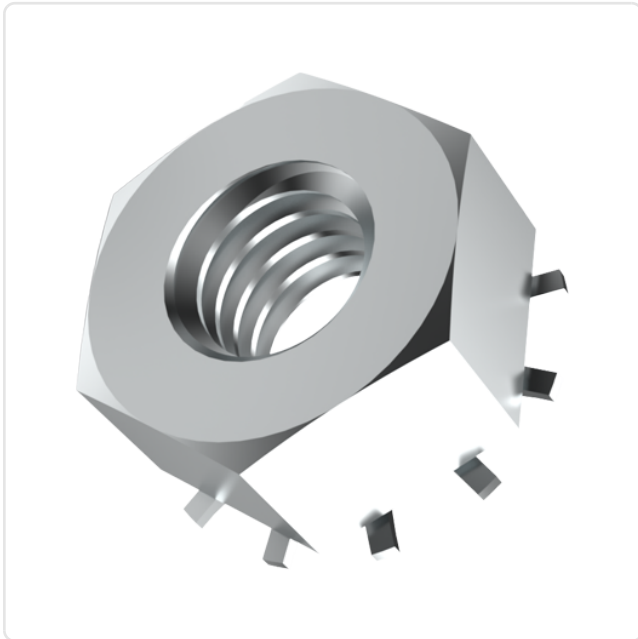


Image may be similar

AF / OD [mm]: 13  
Finish: Galvanized, Blue, 5 µm, A2K  
Height [mm]: 8.5  
Material: Steel - Grade 8  
Material Group: Steel  
Thread Size: M8  
Weight: 4.98g  
Conformities:



You can find all  
information on the web on  
our article detail page

Would you like individual advice?

We look forward to your email to [products@ettinger.de](mailto:products@ettinger.de).

Subject to change and errors.

