

Article datasheet

Cable Tie Holder for 2.5-4.8mm PA natura for material thickness 2.0-3.2mm

Article-No.: 072.79.107

Manufacturer: Panduit

Manufacturer article-no.: PM2H25-M

PANDUIT™

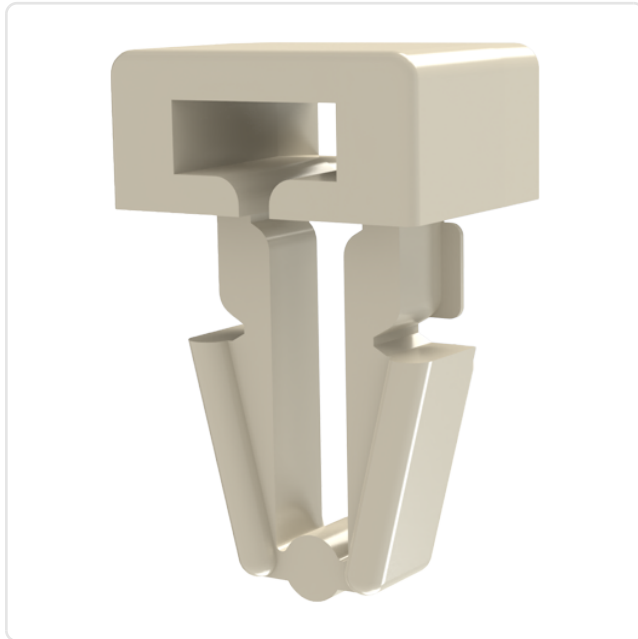


Image may be similar

Cable Tie Width max. [mm]: 4.8

Color: Natural

Flammability Class: UL94-V2

Height [mm]: 4.6

Length [mm]: 15.8

Material: PA 6.0

Material Group: Kunststoff

Model: Plug-In Foot

Weight: 0.41g

Conformities:



You can find all information on the web on our article detail page

Would you like individual advice?

We look forward to your email to products@ettinger.de.

Subject to change and errors.

