

Article datasheet

Self-Clinching Nut M5 | 1.5 A2 Stainless Steel Passivated

Article-No.: 002.17.159

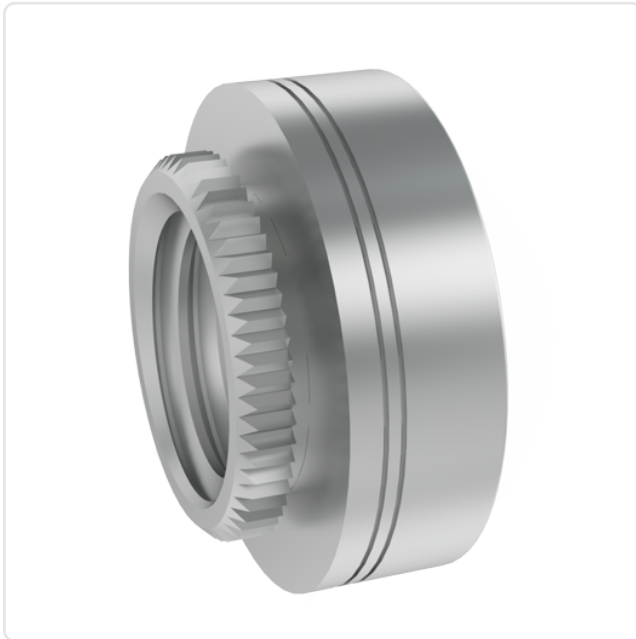
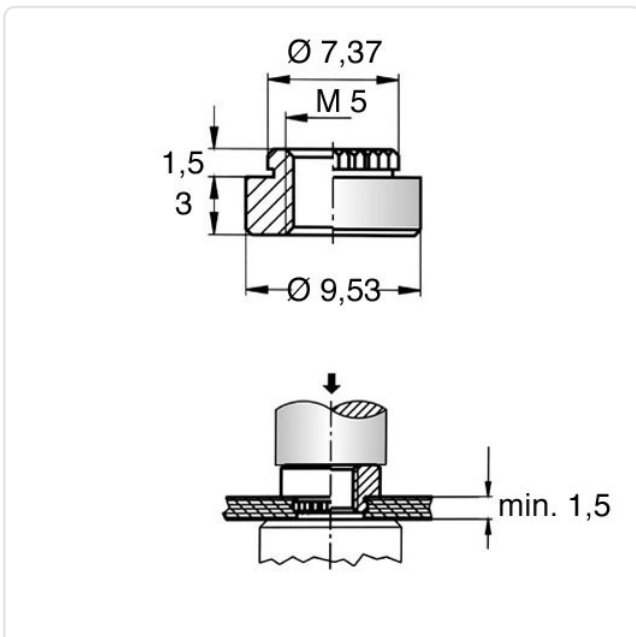


Image may be similar



Area of Application:	For Plastics
Finish:	Passivated, Clear
Height [mm]:	3
Material:	Stainless Steel AISI 304 / A2
Minimum Edge Distance [mm]:	7.1
Outer Diameter [mm]:	9.53
Panel Hole \varnothing [mm]:	6.9
Panel Thickness [mm]:	1,5
Thread Size:	M5
Weight:	1.48g
Conformities:	



You can find all
information on the web on
our article detail page

Would you like individual advice?

We look forward to your email to products@ettinger.de.

Subject to change and errors.