

Article datasheet

## Batteryholder for 3x"C"(R14)cells Polyamid 6.0-GF UL94-V0 IP67

Article-No.: 015.43.118

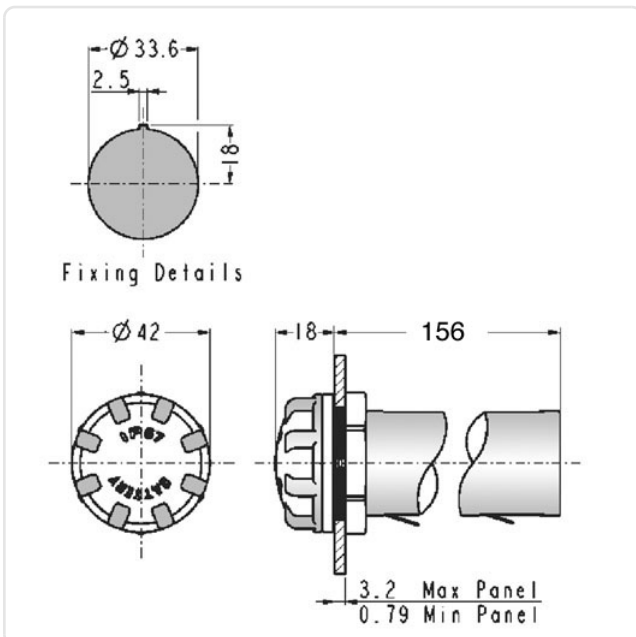


Image may be similar

Battery Type: C-Baby  
Material: PA 6.0 25% GF  
Material Group: Plastic  
Model: Solder Tag Connection  
No. Cells: 3  
Weight: 62.5g  
Conformities:



You can find all information on the web on our article detail page



Would you like individual advice?

We look forward to your email to [products@ettinger.de](mailto:products@ettinger.de).

Subject to change and errors.