

Article datasheet

## Plastic Instrument Enclosure 1598 / IP 54 / 155 x 52 x 180 mm

Article-No.: 097.81.187

Manufacturer: Hammond

Manufacturer article-no.: 1598CGY

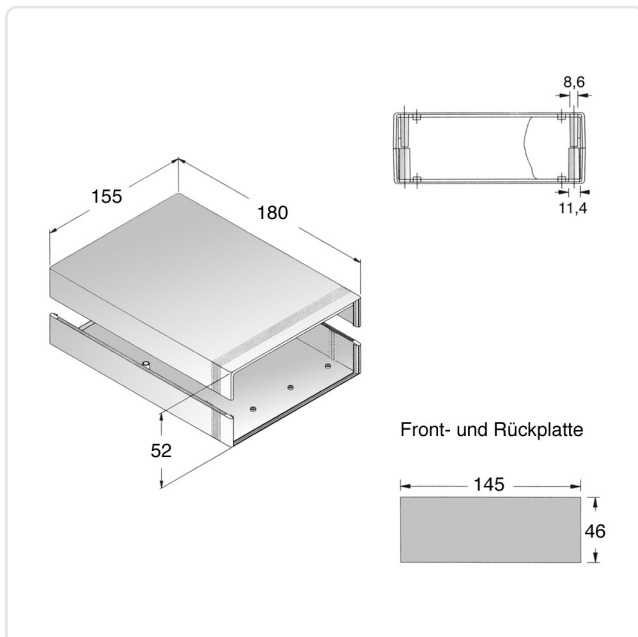


Image may be similar

Color: Gray  
Flammability Class: UL94-V0  
Height [mm]: 52  
Length [mm]: 180  
Material: ABS - Acrylonitrile Butadiene Styrene  
Material Group: Plastic  
Protection Code: IP54  
Width [mm]: 155  
Weight: 334g  
Conformities:



You can find all information on the web on our article detail page



Would you like individual advice?

We look forward to your email to [products@ettinger.de](mailto:products@ettinger.de).

Subject to change and errors.