

Article datasheet

Batteryholder 1x Mignon "AA" cell Steel nickel-plated/solder lugs

Article-No.: 015.31.311

Manufacturer: Keystone Electronics

Manufacturer article-no.: 2139



Image may be similar

Battery Type: AA-Mignon

Finish: Nickel-Plated, 3 µm, E1E

Material: Steel

Model: Solder Tag Connection

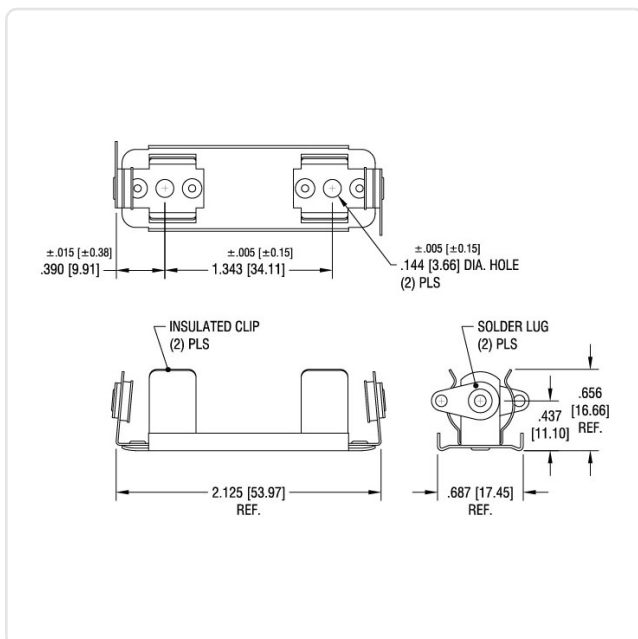
No. Cells: 1

Weight: 8.8g

Conformities:



You can find all information on the web on our article detail page



Would you like individual advice?

We look forward to your email to products@ettinger.de.

Subject to change and errors.