

Article datasheet

Tapping Screw ISO14585T Ø2.9x6.5 Galv. Steel Case Hardened Torx Pan Head

Article-No.: 001.26.121

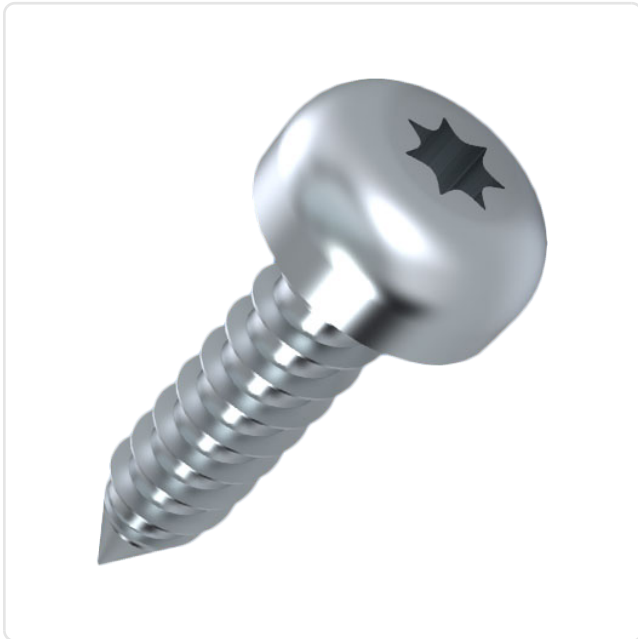
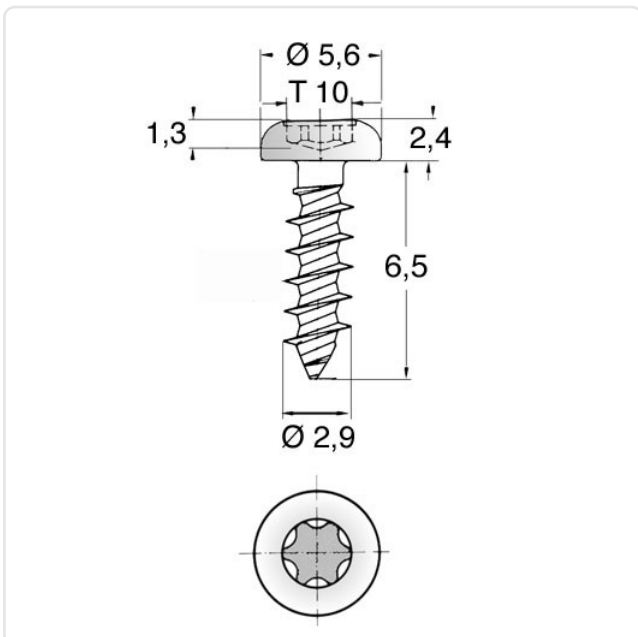


Image may be similar

Actuator Size:	Torx T10
DIN/ISO:	ISO14585
Drive Type:	TORX
Finish:	Galvanized, Blue, 5 µm, A2K
Head Diameter [mm]:	5.6
Head Height [mm]:	2.4
Head Shape:	Pan Head
Length [mm]:	6.5
Material:	Case-Hardened Steel
Material Group:	Steel
Thread Diameter [mm]:	Ø 2.9
Weight:	0.47g
Conformities:	



You can find all information on the web on our article detail page

Would you like individual advice?

We look forward to your email to products@ettinger.de.

Subject to change and errors.