

Article datasheet

## Cable tie mount for 5.7mm PCB 1.2-2.7mm and hole 6.4mm

Article-No.: 072.79.103

Manufacturer: Panduit

Manufacturer article-no.: PWMS-H25-M

**PANDUIT™**



Image may be similar

Cable Tie Width max. [mm]: 4.8

Color: Natural

Flammability Class: UL94-V2

Height [mm]: 5.6

Length [mm]: 19.1

Material: PA 6.0

Material Group: Plastic

Model: Plug-In Foot

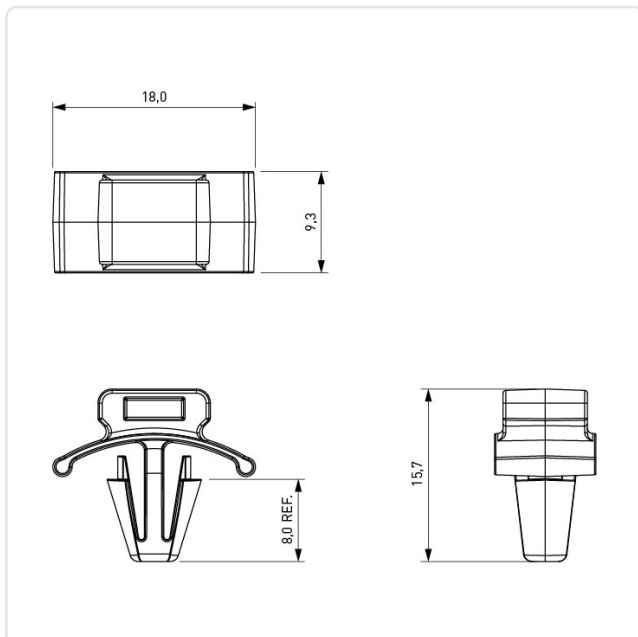
Width [mm]: 15.7

Weight: 0.64g

Conformities:



You can find all  
information on the web on  
our article detail page



Would you like individual advice?

We look forward to your email to [products@ettinger.de](mailto:products@ettinger.de).

Subject to change and errors.