

Article datasheet

Swage Standoff M3x4.0 A2 Stainless Steel Passivated

Article-No.: 004.66.319

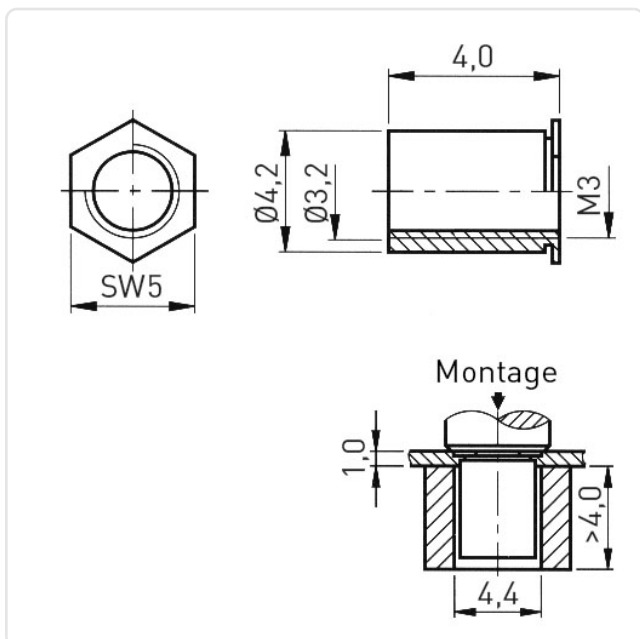


Image may be similar

AF / OD [mm]:	5
Area of Application:	For Metallic Materials
Finish:	Passivated, Clear
Length [mm]:	4
Material:	Stainless Steel AISI 316 / A4
Minimum Edge Distance [mm]:	6.0
Outer Diameter [mm]:	4.2
Panel Hole Ø [mm]:	4.2
Panel Thickness [mm]:	1
Thread Size:	M3
Weight:	0.24g
Conformities:	



You can find all information on the web on our article detail page



Would you like individual advice?

We look forward to your email to products@ettinger.de.

Subject to change and errors.