

Article datasheet

## Molded Transistor Mount TO-220 Polyamid 6 white UL94-V2

Article-No.: 070.03.360

Manufacturer: BIVAR

Manufacturer article-no.: 424-150

**BIVAR**

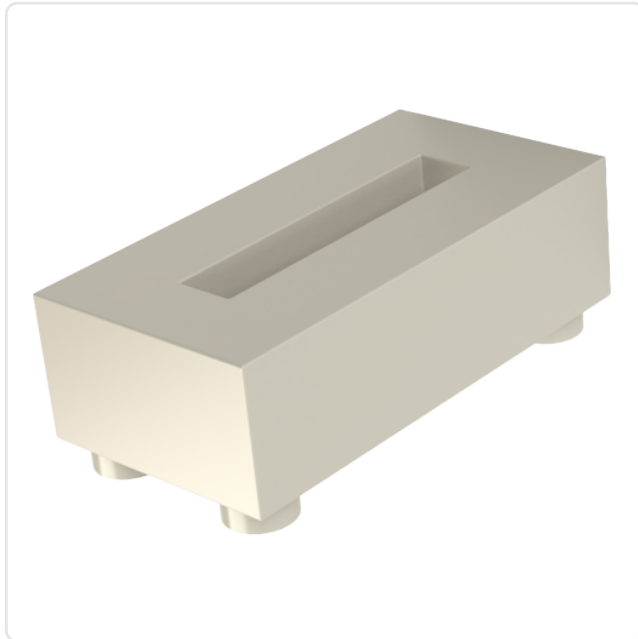


Image may be similar

Color: White  
Flammability Class: UL94-V2  
Inner Diameter [mm]: 1.3  
Length [mm]: 10.8  
Material: PA 6.0  
Material Group: Plastic  
Model: TO-220  
Outer Diameter [mm]: 3.8  
Weight: 0.19g  
Conformities:



You can find all information on the web on our article detail page

Would you like individual advice?

We look forward to your email to [products@ettinger.de](mailto:products@ettinger.de).

Subject to change and errors.

