

Article datasheet

Coin cell contact SMT Anode (+) Stainless,steel/gold-plated/bulk

Article-No.: 015.84.139

Manufacturer: Keystone Electronics

Manufacturer article-no.: 120

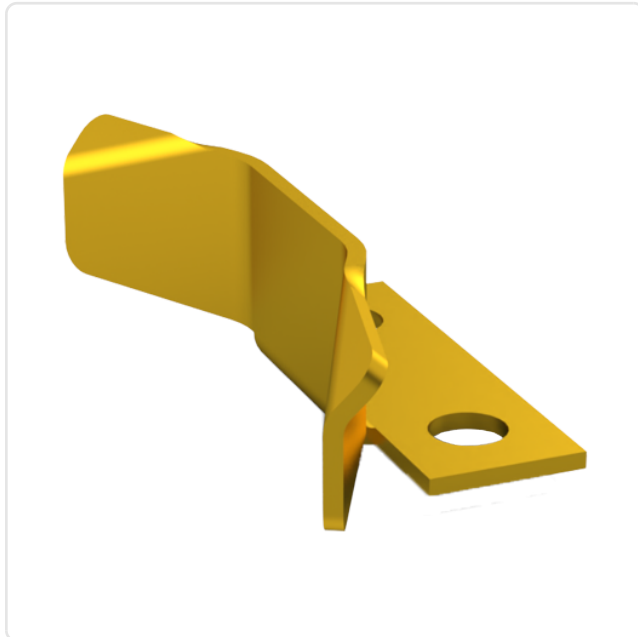


Image may be similar

Finish: Gold-Plated
Material: Stainless Steel
Width [mm]: 1.8
Weight: 0.43g
Conformities:



You can find all information on the web on our article detail page

Would you like individual advice?

We look forward to your email to products@ettinger.de.

Subject to change and errors.

