

Article datasheet

Screw Cover for M6/Ø16.5mm Polyamid 6,black

Article-No.: 003.14.060

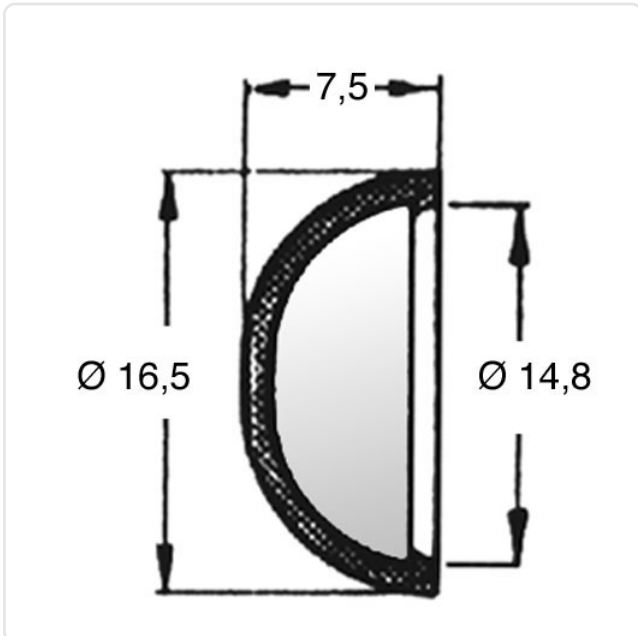


Image may be similar

Color: Black
Head Height [mm]: 7.5
Inner Diameter [mm]: 14.8
Material: PA 6.0
Material Group: Plastic
Model: Cover Cap for Holding Ring
Outer Diameter [mm]: 16.5
Weight: 0.45g
Conformities:



You can find all information on the web on our article detail page



Would you like individual advice?

We look forward to your email to products@ettinger.de.

Subject to change and errors.