

Article datasheet

Fuse Holder-Panel Mount 6,3x32mm Screw Cap/250V-13A/PC2

Article-No.: 015.08.621

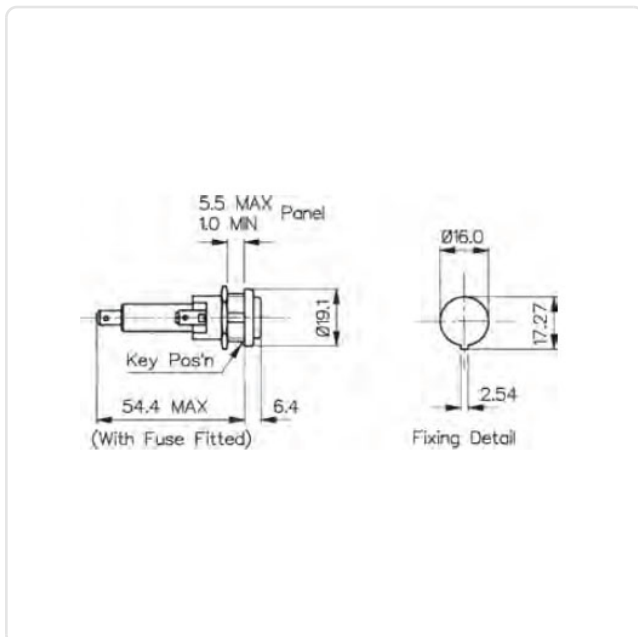


Image may be similar

Amperage [A]:	13
Fuse Size [mm]:	6.3x32.0
Material:	Plastic
Model:	Fuse Holder
Mounting Hole [mm]:	16
Weight:	11g
Conformities:	



You can find all information on the web on our article detail page



Would you like individual advice?

We look forward to your email to products@ettinger.de.

Subject to change and errors.