

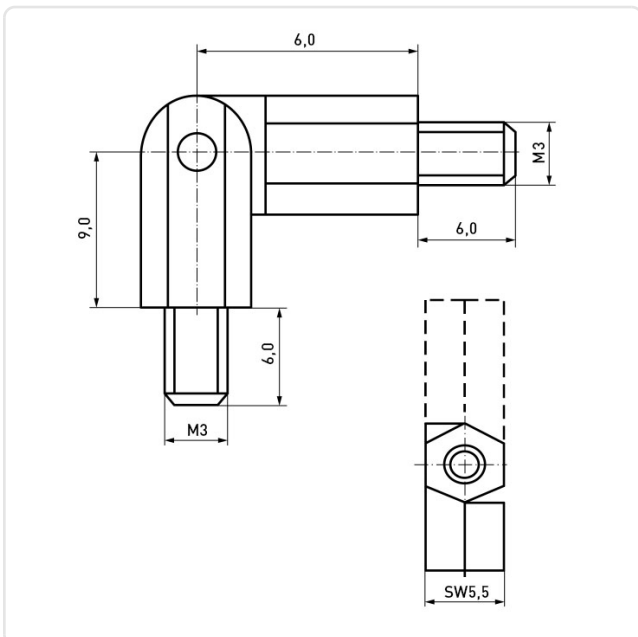
Article datasheet

Hinged-Standoffs M3/SW5,5x15 Brass nickel-plated

Article-No.: 005.27.315



Image may be similar



Finish:	Nickel-Plated, 3 µm, E1E
Leg Length 1 [mm]:	6
Leg Length 2 [mm]:	9
Length [mm]:	15
Material:	Brass
Material Group:	Brass
Model:	Male/Male
Thread 1 Size:	M3
Thread 2 Size:	M3
Weight:	3.71g
Conformities:	



You can find all
information on the web on
our article detail page

Would you like individual advice?

We look forward to your email to products@ettinger.de.

Subject to change and errors.