

Article datasheet

Crystal Insulator Tab Rectangular Polyamid,white UL94-V2

Article-No.: 070.13.139

Manufacturer: BIVAR

Manufacturer article-no.: 470-045

BIVAR

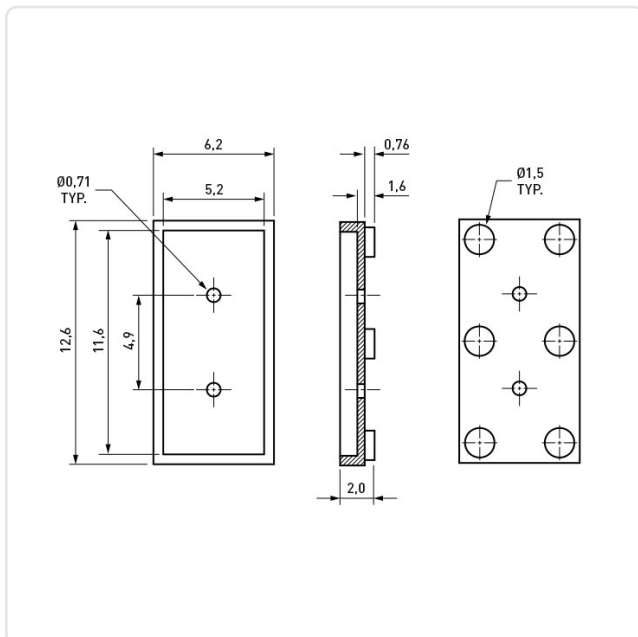


Image may be similar

Color: White
Flammability Class: UL94-V2
Inner Diameter [mm]: 0.71
Length [mm]: 12.6
Material: PA 6.0
Material Group: Plastic
Model: Crystal Insulator Tab
Outer Diameter [mm]: 2
Weight: 0.06g
Conformities:



You can find all information on the web on our article detail page



Would you like individual advice?

We look forward to your email to products@ettinger.de.

Subject to change and errors.