

Article datasheet

Blade Terminal 2.8x0.8 | 0.5-1 mm² Tin-Plated Brass

Article-No.: 012.27.281

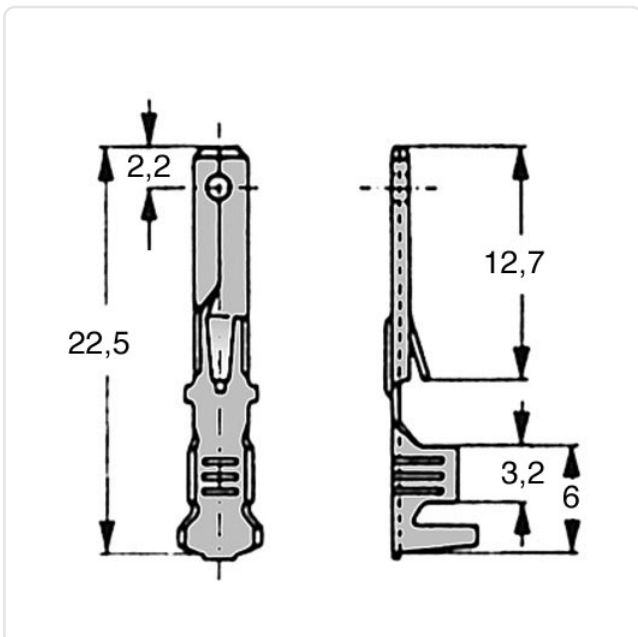


Image may be similar

Bending Angle [°]:	0
Finish:	Tin-Plated
Material:	Brass
Material Group:	Messing
Plug-In Length [mm]:	12.7
Size [mm]:	2.8x0.8
Tabs:	1
Wire Cross Section [mm ²]:	0.5-1.0
Weight:	0.36g
Conformities:	



You can find all information on the web on our article detail page



Would you like individual advice?

We look forward to your email to products@ettinger.de.

Subject to change and errors.