

Article datasheet

## Blade Terminal 2.8x0.8 | 10.5 Tin-Plated Brass 200 pcs. On Wire

Article-No.: 019.21.715

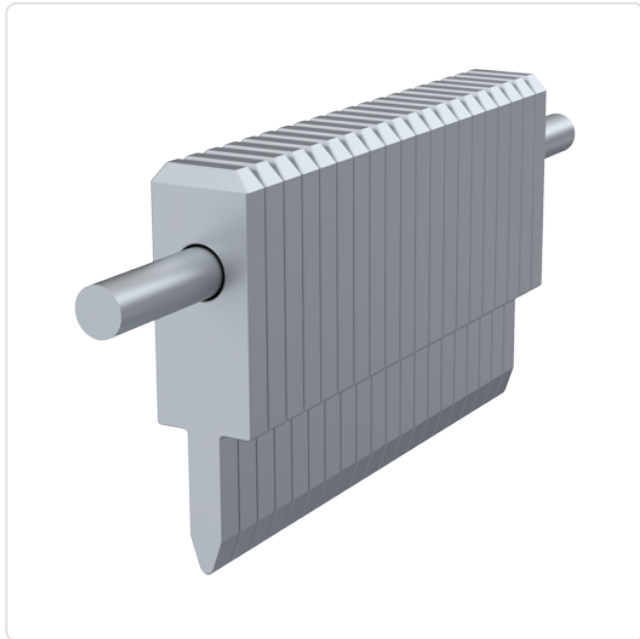
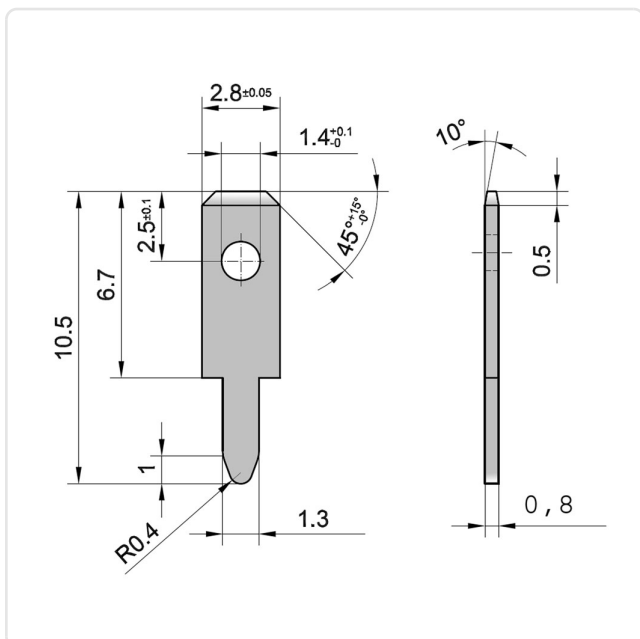


Image may be similar

Bending Angle [°]:	0
Finish:	Tin-Plated
Length [mm]:	10.5
Material:	Brass
Material Group:	Brass
PCB Hole Ø [mm]:	1.3
Plug-In Length [mm]:	6.7
Size [mm]:	2.8x0.8
Tabs:	1
Weight:	0.14g
Conformities:	



You can find all information on the web on our article detail page



Would you like individual advice?

We look forward to your email to [products@ettinger.de](mailto:products@ettinger.de).

Subject to change and errors.