

Article datasheet

## Cable Gland PG 9 with antikink clamping range 3,5-8,0mm PA grey

Article-No.: 014.20.048

Manufacturer: LAPP

Manufacturer article-no.: 53015610

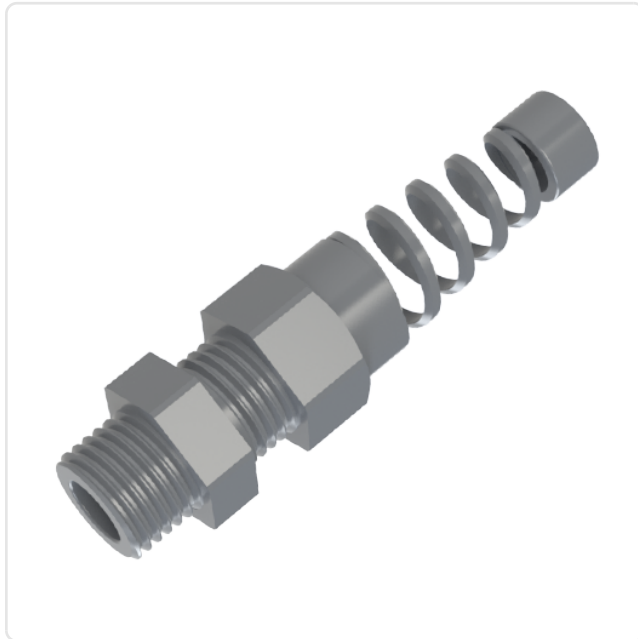
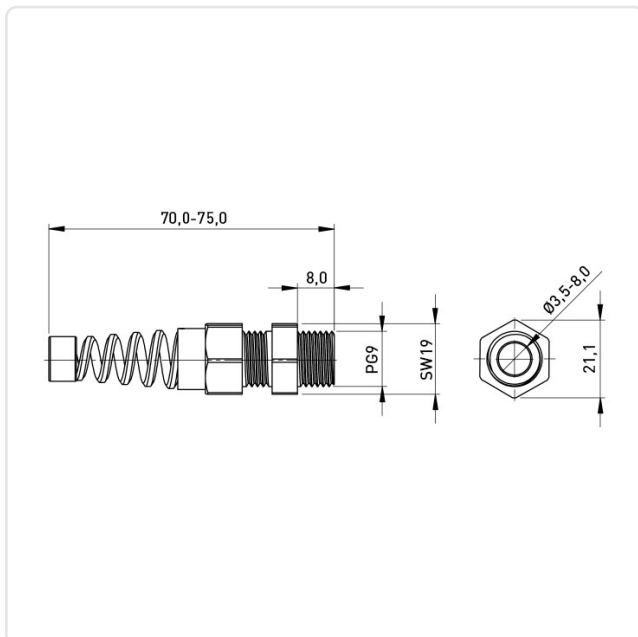


Image may be similar

AF / OD [mm]:	19
Color:	Gray
Material:	PA 6.0
Material Group:	Plastic
Model:	With Bend Protection
Mounting Hole [mm]:	15.7
Panel Thickness Range [mm]:	3.5-8.0
Protection Code:	IP68
Thread Size:	PG9
Weight:	9.84g
Conformities:	



You can find all information on the web on our article detail page



Would you like individual advice?

We look forward to your email to [products@ettinger.de](mailto:products@ettinger.de).

Subject to change and errors.