

Article datasheet

Flanged Bearing $\varnothing 14/18/28 \times 21$ -3mm Polyamid 6.6 natural UL94-V2

Article-No.: 005.99.146

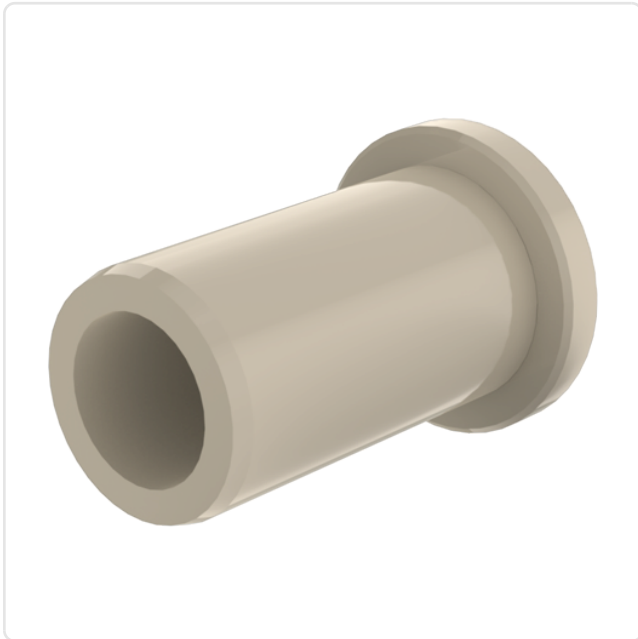


Image may be similar

Color:	Natural
Flammability Class:	UL94-V2
Inner Diameter [mm]:	14
Length [mm]:	21
Lug Diameter [mm]:	18
Material:	PA 6.6
Material Group:	Plastic
Model:	With High Lug
Outer Diameter [mm]:	28
Weight:	3.6g
Conformities:	



You can find all
information on the web on
our article detail page

Would you like individual advice?

We look forward to your email to products@ettinger.de.

Subject to change and errors.

