

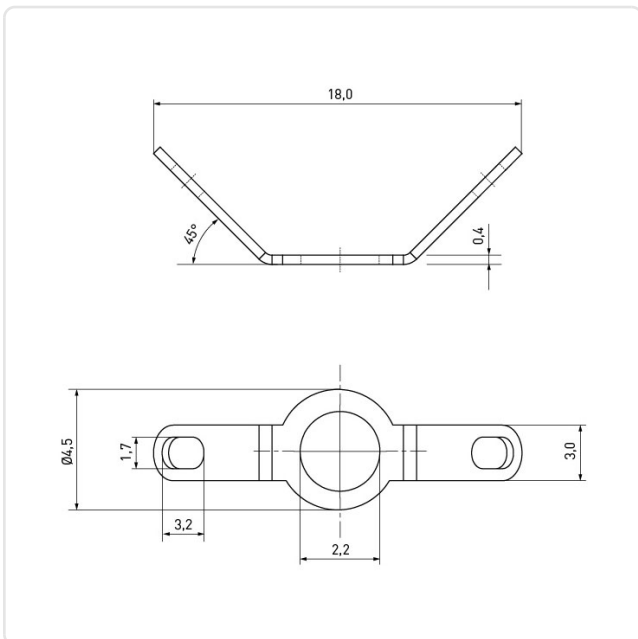
Article datasheet




Solder tag DIN 41496 2B2 45°angled Brass tinned hole \varnothing 2.2mm

Article-No.: 019.05.922



Image may be similar



Bending Angle [°]:	45
DIN/ISO:	DIN41496
Finish:	Tin-Plated
Inner Diameter [mm]:	2.2
Length [mm]:	18
Material:	Brass CW508L / CuZn37, lead-free
Material Group:	Brass
Outer Diameter [mm]:	4.5
Weight:	0.12g
Conformities:	  



You can find all
information on the web on
our article detail page

Would you like individual advice?

We look forward to your email to products@ettinger.de.

Subject to change and errors.