

Article datasheet

## Battery contact "AAA"/"AAAA"/"N" Spring steel nickel-plated

Article-No.: 015.84.216

Manufacturer: Keystone Electronics

Manufacturer article-no.: 294

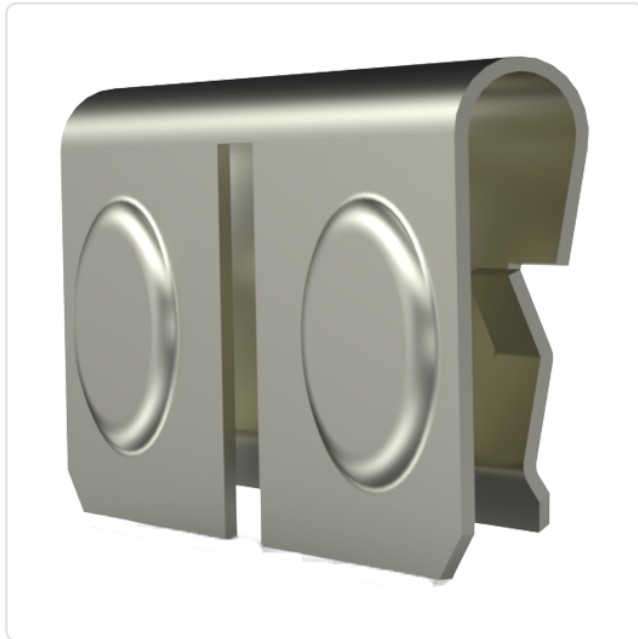
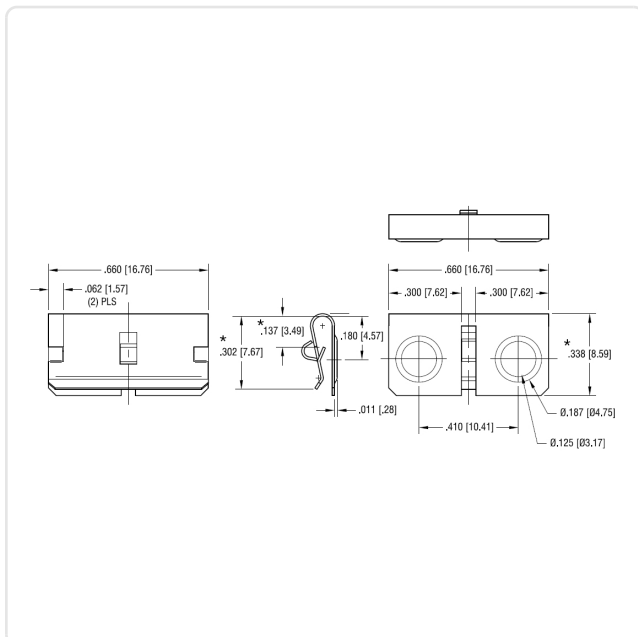


Image may be similar

Battery Type: AAA-Micro  
 Finish: Nickel-Plated, 3 µm, E1E  
 Material: Spring Steel  
 Material Group: Steel  
 Width [mm]: 16.8  
 Weight: 0.6g  
 Conformities:



You can find all information on the web on our article detail page



Would you like individual advice?

We look forward to your email to [products@ettinger.de](mailto:products@ettinger.de).

Subject to change and errors.