

Article datasheet

Diaphragm Grommet 9.0/15.0-2.0mm PVC black UL94-HB




Article-No.: 014.68.709

Manufacturer: SES-Sterling

Manufacturer article-no.: 0133 0351 010

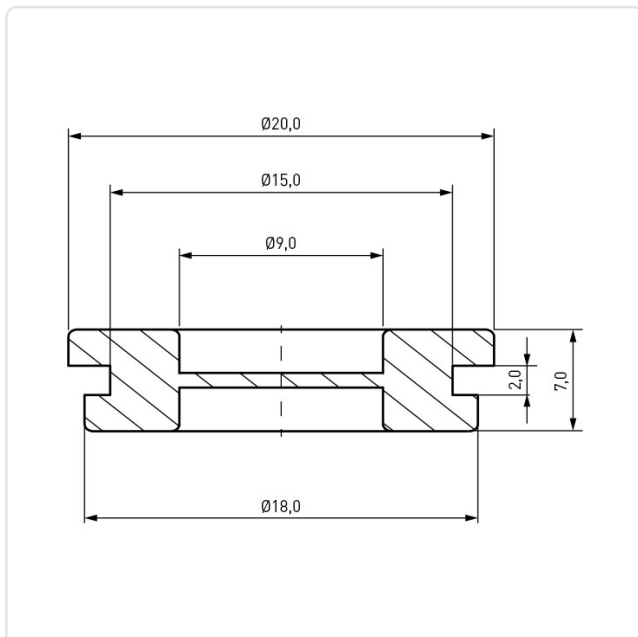


Image may be similar

Color:	Black
Height [mm]:	20
Inner Diameter [mm]:	9
Material:	PVC - Polyvinyl Chloride
Material Group:	Plastic
Max. Panel Thickness [mm]:	2
Model:	Diaphragm Grommet, Closed
Mounting Hole [mm]:	15
Weight:	1.5g
Conformities:	  



You can find all
information on the web on
our article detail page



Would you like individual advice?

We look forward to your email to products@ettinger.de.

Subject to change and errors.