

Article datasheet

Blade Terminal 2.8x0.5 | 90° Tin-Plated Brass

Article-No.: 019.25.131

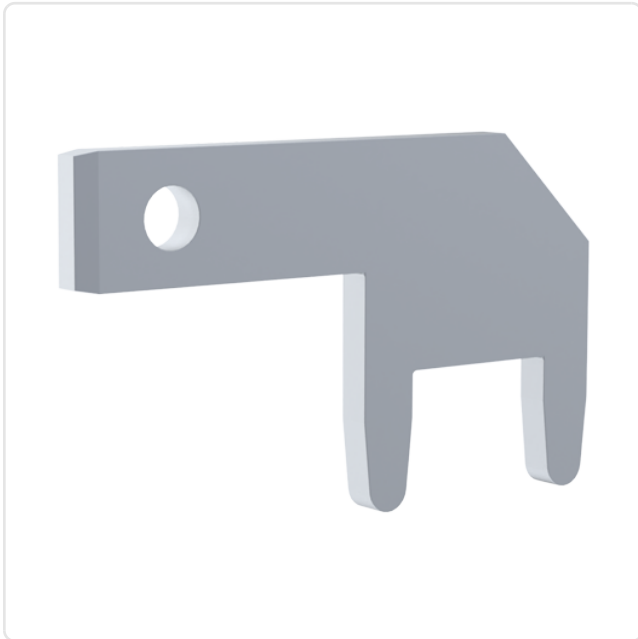
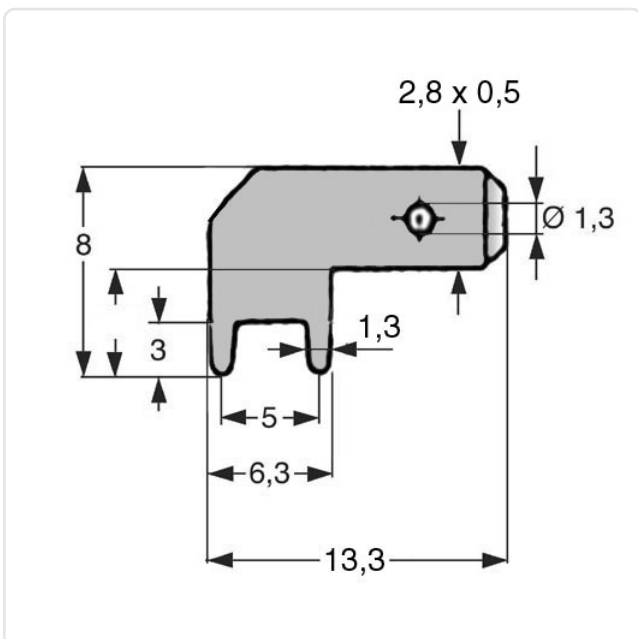


Image may be similar

Bending Angle [°]:	90
Finish:	Tin-Plated
Grid [mm]:	5.08
Material:	Brass
Material Group:	Brass
PCB Hole Ø [mm]:	1.2
Plug-In Length [mm]:	7
Size [mm]:	2.8x0.5
Tabs:	1
Weight:	0.22g
Conformities:	



You can find all
information on the web on
our article detail page



Would you like individual advice?

We look forward to your email to products@ettinger.de.

Subject to change and errors.