

Article datasheet

Wing Nut DIN315 M6 Galvanized Steel

Article-No.: 002.26.061

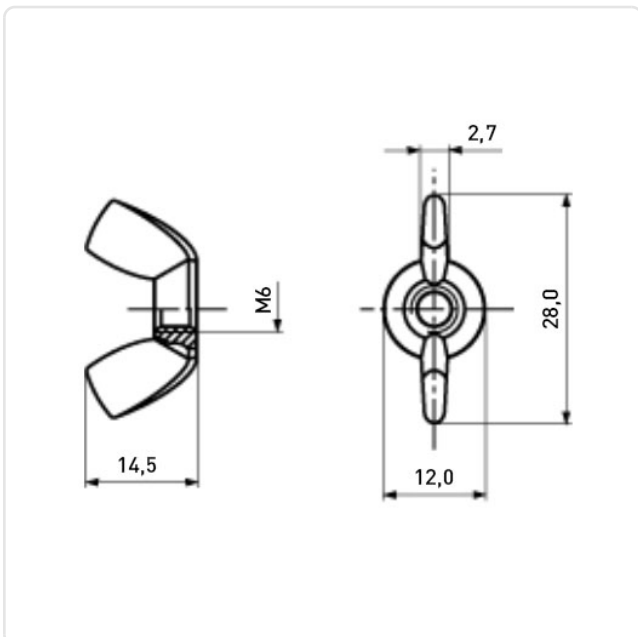


Image may be similar

AF / OD [mm]: 12
DIN/ISO: DIN315
Finish: Galvanized, Blue, 5 µm, A2K
Height [mm]: 14.5
Material: Steel
Material Group: Steel
Thread Size: M6
Conformities:



You can find all
information on the web on
our article detail page



Would you like individual advice?

We look forward to your email to products@ettinger.de.

Subject to change and errors.